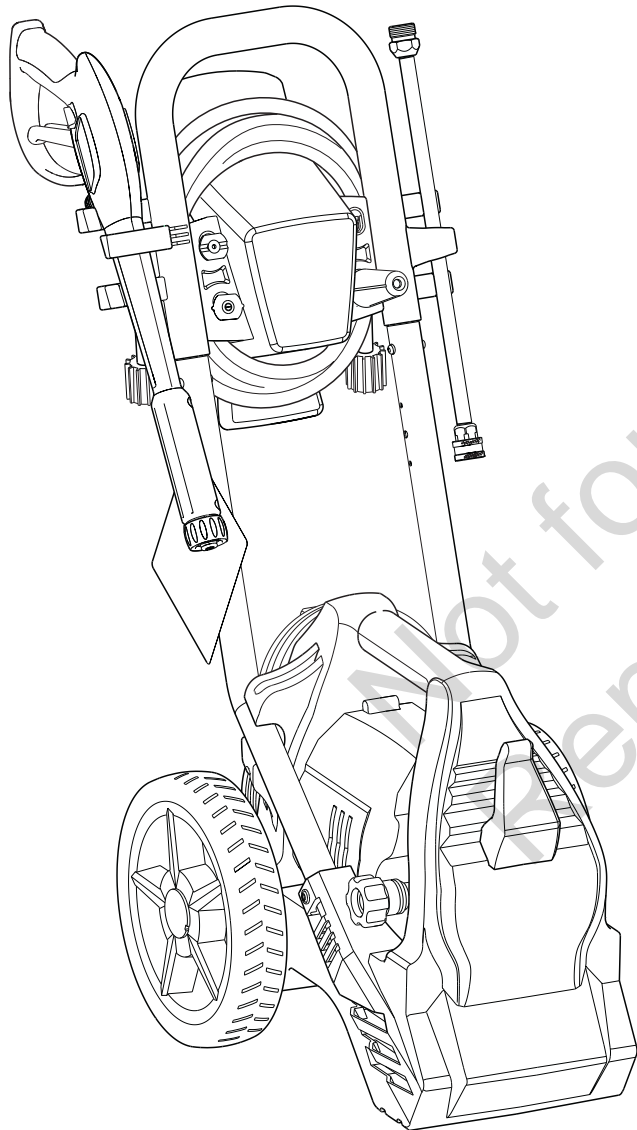




# Electric Pressure Washer

## OPERATOR'S MANUAL



This pressure washer is rated in accordance to the Pressure Washer Manufacturers Association (PWMA) standard PW101-2010 (Testing and Rating Performance of Pressure Washers).

**BRIGGS & STRATTON CORPORATION**  
**MILWAUKEE, WISCONSIN, U.S.A.**

Manual No. 80027050 Revision -

**Thank you** for purchasing this quality-built Briggs & Stratton® electric pressure washer. We are pleased that you've placed your confidence in the Briggs & Stratton brand. When operated and maintained according to the instructions in this manual, your Briggs & Stratton electric pressure washer will provide many years of dependable service.

**This manual contains** safety information to make you aware of the hazards and risks associated with electric pressure washers and how to avoid them. Because Briggs & Stratton does not necessarily know all the applications this electric pressure washer could be used for, it is important that you read and understand these instructions thoroughly before attempting to start or operate this equipment. **Save these original instructions for future reference.**

**This electric pressure washer requires final assembly before use.** Refer to the *Assembly* section of this manual for instructions on final assembly procedures. Follow the instructions completely.

## Where to Find Us

You never have to look far to find Briggs & Stratton support and service for your electric pressure washer. There are over 30,000 Briggs & Stratton authorized service dealers worldwide who provide quality service. You can also contact Briggs & Stratton Customer Service by phone at **(800) 743-4115**, or on the Internet at [BRIGGSandSTRATTON.COM](http://BRIGGSandSTRATTON.COM).

### Electric Pressure Washer

Model Number \_\_\_\_\_

Revision \_\_\_\_\_

Serial Number \_\_\_\_\_

**Date Purchased** \_\_\_\_\_

### Register Your Product

To ensure prompt and complete warranty coverage, register your product online at [www.onlineproductregistration.com](http://www.onlineproductregistration.com).


## Table of Contents

Operator Safety . . . . .	3
Assembly . . . . .	6
Features and Controls . . . . .	8
Operation . . . . .	9
Maintenance . . . . .	12
Storage . . . . .	13
Troubleshooting . . . . .	14
Warranty . . . . .	15
Specifications . . . . .	16

# Operator Safety

## SAVE THESE INSTRUCTIONS

### Equipment Description

 **WARNING** Failure to read and follow the operator's manual and all operating instructions before using could result in death or serious injury.



- Read this manual carefully and become familiar with your electric pressure washer. Know its applications, its limitations, and any hazards involved.

This electric pressure washer operates at a maximum of 2,200 PSI with yellow spray tip and a flow rate of up to 1.2 GPM (gallons per minute) with turbo spray tip.

Every effort has been made to ensure that the information in this manual is accurate and current. However, we reserve the right to change, alter, or otherwise improve the product and this document at any time without prior notice.

This ISM device complies with Canadian ICES-001.

### Ground Fault Circuit Interrupter Protection

This pressure washer is provided with a ground-fault circuit-interrupter (GFCI) built into the plug of the power supply cord. This device provides additional protection from the risk of electric shock. Should replacement of the plug or cord become necessary, use only identical replacement parts that include GFCI protection.

### Automatic Shut-Off

The electric pressure washer is equipped with a sensor that will detect that water flow has stopped when releasing or locking the spray gun trigger. The sensor will cause the motor to shut off for as long as the spray gun trigger is released or locked.

If the motor continues to run when the spray gun trigger is released or locked, **DO NOT USE THE MACHINE**. Call the electric pressure washer helpline at **(800) 743-4115** for assistance.

**NOTICE** The electric pressure washer is equipped with a main power ON/OFF switch. The switch should always be moved to the OFF position (0) when the electric pressure washer is not being used to prevent possible damage.

### Motor Overload

The electric motor in this electric pressure washer is equipped with an overload protection device (thermostat). This device will automatically shut off the motor if the motor overheats or draws excessive current.

If the overload protection device is tripped, disconnect the power supply by turning the master ON/OFF switch to the OFF (0) position. Let unit cool for 30 minutes. Then turn the master ON/OFF switch to the ON (I) position to resume operation.

## Important Safety Information

Please read and understand this entire manual before attempting to assemble, operate or service the product. Follow the maintenance instructions specified in this manual. If you have any questions regarding the product, please call customer service at **(800) 743-4115**, 8 a.m. - 5 p.m., CST, Monday - Friday.

### Safety Symbols and Meanings



Read Manual



Electrical Shock



Fire



Slippery Surface



Fall



Fluid Injection




Projectile





Flying Objects




Chemical Burn


 The safety alert symbol indicates a potential personal injury hazard. A signal word (**DANGER**, **WARNING**, or **CAUTION**) is used with the alert symbol to designate a degree or level of hazard seriousness. A safety symbol may be used to represent the type of hazard. The signal word **NOTICE** indicates information considered important, but not hazard-related.

 **DANGER** indicates a hazard which, if not avoided, *will* result in death or serious injury.


 **WARNING** indicates a hazard which, if not avoided, *could* result in death or serious injury.

 **CAUTION** indicates a hazard which, if not avoided, *could* result in minor or moderate injury.



**NOTICE** indicates information considered important, but not hazard-related.

 **WARNING** Risk of electrocution. Use of an extension cord could cause electric shock or burn resulting in death or serious injury.



- DO NOT use an extension cord with this electric pressure washer. Your home's electrical circuit receptacle or extension cord may not provide lifesaving ground-fault circuit-interruption protection.

 **WARNING** Risk of electrocution. Contacting both power conductors, at the same time could cause electric shock or burn resulting in death or serious injury.


- Connect only to a properly grounded outlet. DO NOT remove ground pin from plug.
- Inspect cord before each use, DO NOT use if cord is damaged.
- The product is equipped with a ground fault circuit interrupter (GFCI) built into the power cord plug. If replacement of the plug or cord is required, use only identical replacement parts.
- Keep all connections dry and off the ground.
- DO NOT touch plug with wet hands.
- DO NOT run cord through doorways, windows, holes in ceilings, walls, or floors.
- DO NOT walk on cord.
- DO NOT drive over, drag or place objects over cord.
- DO NOT spray near power source.

  **WARNING** Use of electric pressure washer could create puddles and slippery surfaces. Risk of kickback. Spray gun could kickback causing you to fall resulting in death or serious injury.

- Operate the electric pressure washer from a stable surface.
- Do not overreach or stand on unstable support. Keep good footing and balance at all times.
- The cleaning area should have adequate slopes and drainage to reduce the possibility of a fall due to slippery surfaces.
- Be extremely careful if you must use the electric pressure washer from a ladder, scaffolding, or any other similar location.
- Firmly grasp spray gun with both hands when using power spray modes to avoid injury when spray gun kicks back.

  **WARNING** Risk of eye or bodily injury. Spray could splash back, propel objects or cause internal harm resulting in serious injury.

- Always wear indirect vented (chemical splash) safety goggles marked to comply with ANSI Z87.1 when using or in vicinity of this equipment. NEVER substitute safety glasses or dry-condition goggles for indirect vented safety goggles.
- Know how to stop the pressure washer and bleed pressure quickly. Be thoroughly familiar with the controls.
- DO NOT allow CHILDREN to operate the electric pressure washer.
- Keep operating area clear of all persons.
- Inspect high pressure hose before each use. NEVER repair high pressure hose; replace it.
- DO NOT repair leaking connections with sealant of any kind; replace o-rings and gaskets.
- Keep hose connected to electric pressure washer and spray gun while system is pressurized.
- ALWAYS point spray gun in safe direction while system is pressurized and squeeze spray gun trigger to release high pressure, every time you turn off the pressure washer.
- DO NOT aim spray gun at people or animals.
- DO NOT drink from hose connected accessories.
- DO NOT secure spray gun in open position.
- DO NOT leave spray gun unattended while the electric pressure washer is in ON (I) position.
- DO NOT use a spray gun which does not have a trigger lock or trigger guard in place and in working order.
- Always be certain spray gun and accessories are correctly attached.
- Stay alert – watch what you are doing.
- DO NOT operate the product when fatigued or under the influence of alcohol or drugs.
- Close supervision is necessary when this product is used near children.

 **WARNING** The high pressure stream of water that this equipment produces could cut through skin and its underlying tissues, resulting in serious injury and possible amputation.

Spray gun traps high water pressure, even when motor is stopped and water is disconnected, which could result in serious injury.

- NEVER aim spray gun at people, animals, or plants.
- ALWAYS point spray gun in safe direction, squeeze spray gun trigger to release high pressure, every time you turn off pressure washer.

**⚠ WARNING** Risk of fire. Spraying flammable liquids could result in death or serious injury.



- DO NOT spray flammable liquids.

**⚠ WARNING** Risk of fire. Overheated cord could result in death or serious injury.



- Uncoil cord completely prior to use.
- DO NOT cover cord with any material.

**⚠ WARNING** Chemical Burn Hazard.



Chemicals could cause burns resulting in death or serious injury.

- Always wear indirect vented (chemical splash) safety goggles marked to comply with ANSI Z87.1 when using chemicals.
- DO NOT substitute safety glasses or dry-condition goggles for indirect vented safety goggles.
- DO NOT use caustic liquid with electric pressure washer.
- Use ONLY pressure washer safe detergents/soaps. Follow all manufacturers instructions.

**⚠ WARNING** This product contains lead and lead compounds, known to the state of California to cause birth defects or other reproductive harm. Wash your hands after handling this product. Cancer and Reproductive Harm - [www.P65Warnings.ca.gov](http://www.P65Warnings.ca.gov)

**NOTICE** High pressure spray could damage fragile items including glass.

- DO NOT point spray gun at glass when using turbo spray tip.
- NEVER aim spray gun at plants.

**NOTICE** You must protect your unit from freezing temperatures.

- Failure to do so will permanently damage your pump and spray gun rendering your unit inoperable.
- Freeze damage is not covered under warranty.

**NOTICE** Improper treatment of electric pressure washer could damage it and shorten its life.

- If you have questions about intended use, ask dealer or contact authorized service center.
- DO NOT operate units with broken or missing parts, or without protective housing or covers.
- DO NOT by-pass any safety device on the electric pressure washer.
- DO NOT modify the electric pressure washer in any way.
- Before starting the electric pressure washer in cold weather, check all parts of the equipment to be sure ice has not formed there.
- DO NOT move the electric pressure washer by pulling on hoses. Move unit using the transport handle supplied.
- Use ONLY branded accessories intended for use with this product.

Not for  
Reproduction

# Assembly



**Read entire Operator's Manual before you attempt to assemble or operate your new electric pressure washer.**

Your electric pressure washer requires some assembly but is quickly ready for use. If you have any problems with the assembly of your electric pressure washer, please call the electric pressure washer helpline at **(800) 743-4115**. If calling for assistance, please have the model, revision, and serial number from the identification label available.

## Tools Needed

- Philips screwdriver #2

## Unpack Electric Pressure Washer

1. Remove everything from carton.
2. Ensure you have all included items prior to assembly.

## Items Included in the Carton

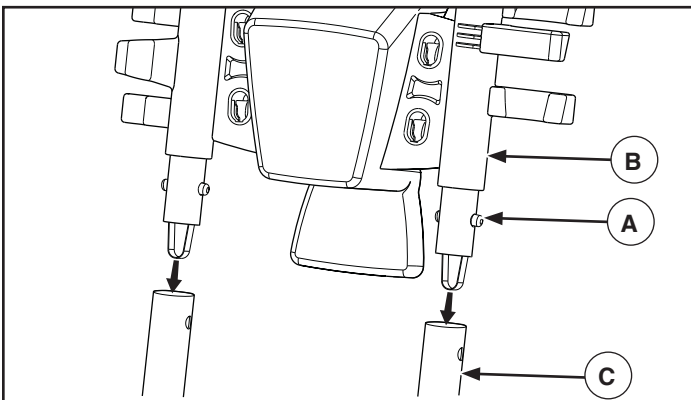
- Main unit
- Handle with accessory tray
- Spray gun
- High pressure hose
- Spray wand
- Quick Connect (QC) spray tips (3)
- Quick Connect (QC) foamer spray tip with detergent bottle
- Handle support tubes (2)
- Screws (2)
- Operator's Manual

Check all contents. If any parts are missing or damaged, DO NOT use, call the electric pressure washer helpline at **(800) 743-4115**.

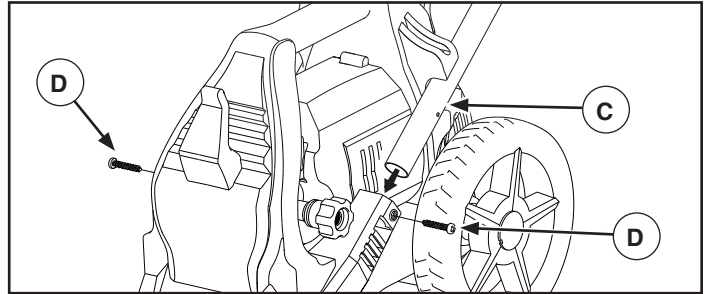
Become familiar with each component before assembling the electric pressure washer. Identify contents with the illustration shown in *Features and Controls*.

## Attach Handle and Support Tubes

1. Push and hold lock-pin buttons (A) on each side of the handle. Slide handle (B) down into each handle support tubes (C) until lock-pin buttons snap into the holes.



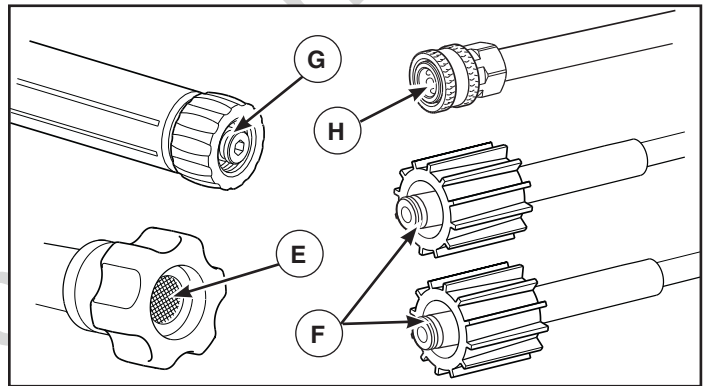
2. Slide handle support tubes (C) into slots on both sides of main unit. Align holes and insert screws (D). Tighten with a #2 philips screwdriver.



## Lubricate O-Rings

Lubrication of o-rings is extremely important for installation and operation. The use of a lubricant (petroleum or synthetic grease) during assembly helps seat o-rings properly and provides an improved seal. It also helps protect the o-ring from damage by abrasion, pinching or cutting and extends the life of the o-ring.

**NOTICE** ALWAYS apply a small amount of lubricant on o-rings prior to assembling the garden hose to the pump (E), high pressure hose (F), spray gun (G), and spray wand (H).



**Lubricate all connections shown below, following these instructions:**

1. Inspect and clean connecting surfaces prior to lubrication and assembly.
2. Use lubricants sparingly during assembly; a light film is all that is required.
3. Use a small brush or cotton swab to apply grease directly to o-rings where they are not accessible (QC fitting, M22 fitting).

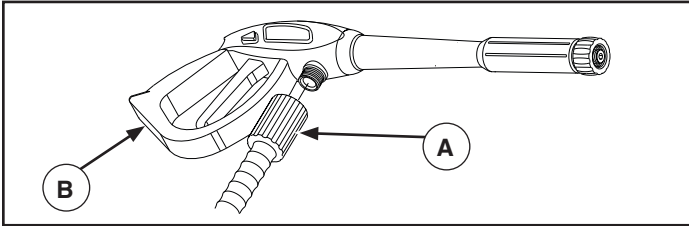


## Connect Hose and Water Supply to Pump

**NOTICE** DO NOT run the pump without the water supply connected and turned on.

- Damage to equipment resulting from failure to follow this instruction will void warranty.

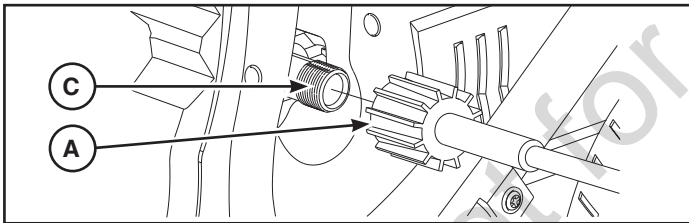
1. Uncoil high pressure hose (A) and attach black end of hose to base of spray gun (B). Tighten by hand.



**WARNING** The high pressure stream of water that this equipment produces could cut through skin and its underlying tissues, resulting in serious injury and possible amputation.

- NEVER connect high pressure hose to spray wand.
- Keep high pressure hose connected to pump and spray gun while system is pressurized.
- Always be certain spray gun, nozzles and accessories are correctly attached.

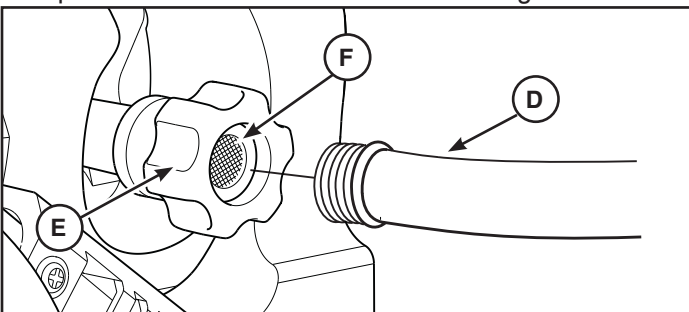
2. Attach red end of high pressure hose (A) to high pressure outlet (C) on pump. Tighten by hand.



3. Run water through your garden hose for 30 seconds to clean out any debris.

**NOTICE** DO NOT siphon standing water for the water supply. Use ONLY cold water (less than 100°F (38°C)).

4. Before connecting garden hose (D) to water inlet (E), inspect inlet screen (F). Clean screen if it contains debris or have it replaced if damaged. DO NOT run pressure washer if inlet screen is damaged.



**NOTICE** Using a One Way Valve (vacuum breaker or check valve) at pump inlet could cause pump or inlet connector damage.

- There MUST be at least 10 ft. (3 m) of unrestricted garden hose between the pressure washer inlet and any device, such as a vacuum breaker or check valve.
- Damage to equipment resulting from failure to follow this instruction will void warranty.

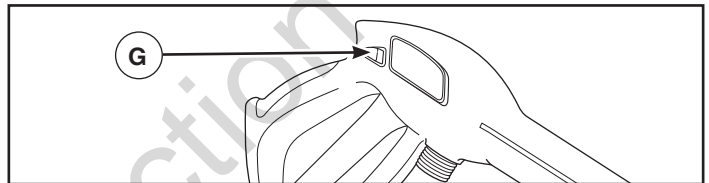
5. Connect the garden hose (D) (not to exceed 50 ft. (15 m) in length) to the water inlet (E). Tighten by hand.

**WARNING** Risk of eye injury.

**WARNING** Spray could splash back or propel objects resulting in serious injury.

- Always wear indirect vented (chemical splash) safety goggles marked to comply with ANSI Z87.1 when using or in vicinity of this equipment.
- NEVER substitute safety glasses or dry-condition goggles for indirect vented safety goggles.

6. Turn ON the water, press red button (G) on the gun and squeeze the trigger to purge the pump system of air and impurities.



## Checklist Before Starting Pump Motor

Review the unit's assembly to ensure you have performed all of the following.

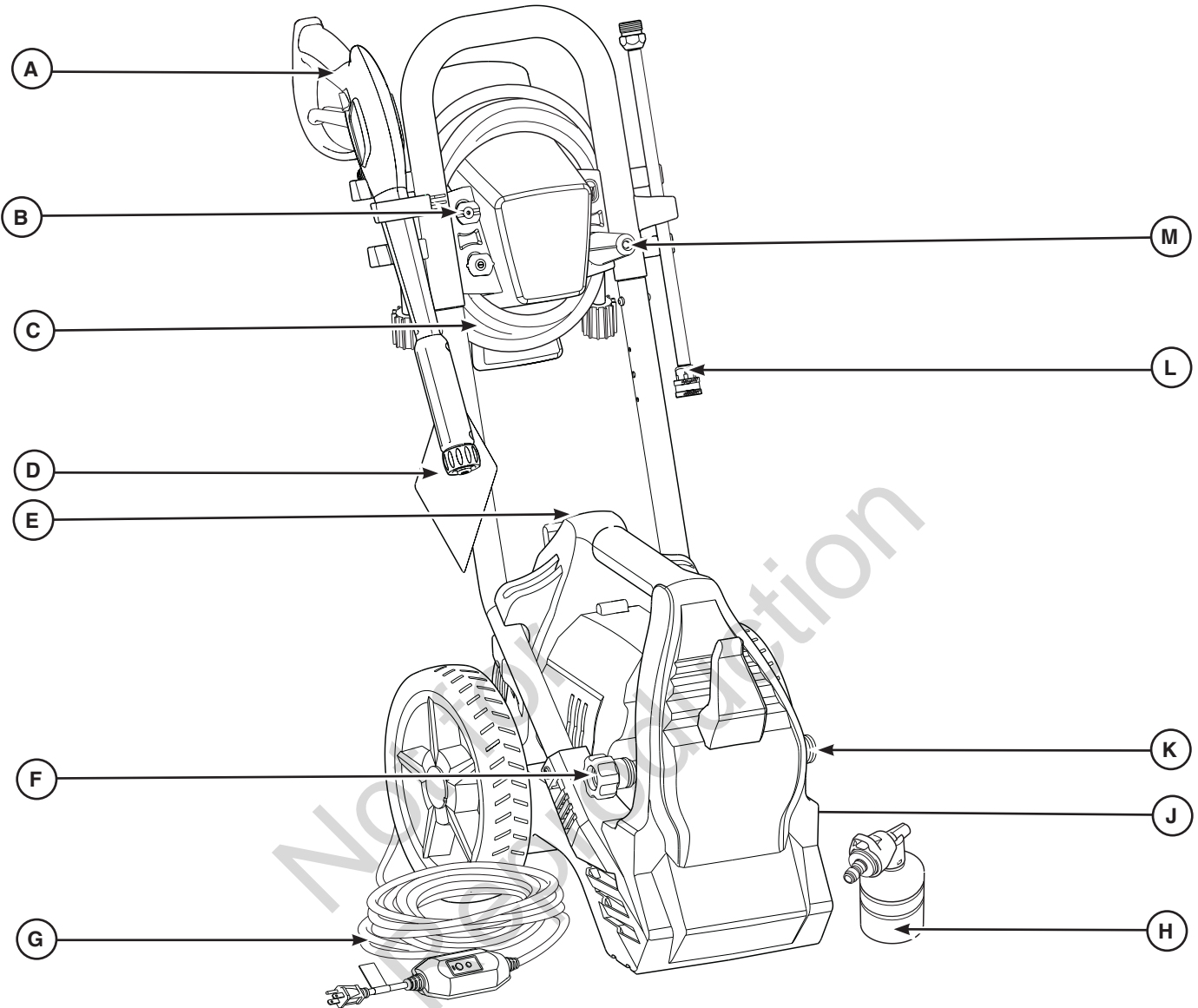
1. Be sure to read *Operator Safety and Operation* before using the electric pressure washer.
2. Check for properly tightened hose connections.
3. Check to make sure there are no kinks, cuts, or damage to hoses.
4. Provide a proper water supply at an adequate flow.
5. Plug electrical power cord into a dedicated electrical circuit rated for 120 Volts AC at 15 Amps that is properly installed in accordance with all local codes and ordinances. Check that circuit is not used to supply any other electrical needs.

# Features and Controls



**Read the Operator's Manual and safety rules before operating your electric pressure washer.**

Compare the illustrations with your electric pressure washer to familiarize yourself with the locations of various controls and adjustments. Save this original manual for future reference.



**A - Spray Gun** — Controls the application of water onto cleaning surface with trigger device. Includes trigger lock.

**B - Spray Tips** — Yellow and white spray tips are for various high pressure applications.

**C - High Pressure Hose** — Connect red end to high pressure water outlet and black end to spray gun.

**D -Warning Label** — Identifies hazards to be avoided when using your pressure washer.

**E - Master ON/OFF Toggle Switch** — Push top of switch in (I) to turn pressure washer ON. Push bottom of switch in (O) to turn pressure washer OFF.

**F - Water Supply Inlet** — Connect to water supply using a 50 ft. (15.24 m) maximum garden hose.

**G- Electric Cord with GFCI** — The electric pressure washer and operator is protected by a ground fault circuit interrupter (GFCI).

**H - Foamer Spray Tip with Detergent Bottle** — Use to apply pressure washer safe detergent to surfaces.

**J - Identification Label** (under housing)— Provides model and serial number of pressure washer. Please have these readily available if calling for assistance.

**K- High Pressure Outlet** — Connection for high pressure hose.

**L - Spray Wand** — Allows you to switch between different spray tips.

**M -Turbo Spray Tip** — Whirls a powerful pin-point jet of water for intense cleaning.



# Operation

## How to Start Your Electric Pressure Washer

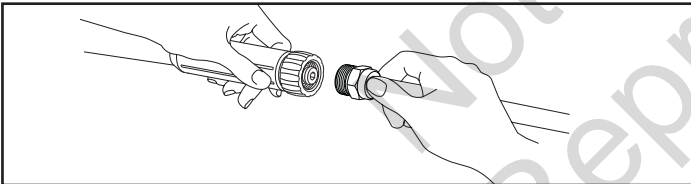
Follow the instructions below in the order presented. If you have any problems operating your electric pressure washer, please call the electric pressure washer helpline at **(800) 743-4115**.

**⚠ WARNING** Risk of eye injury. Spray could splash back or propel objects resulting in serious injury. Always wear indirect vented (chemical splash) safety goggles marked to comply with ANSI Z87.1 when using or in vicinity of this equipment. NEVER substitute safety glasses or dry-condition goggles for indirect vented safety goggles.

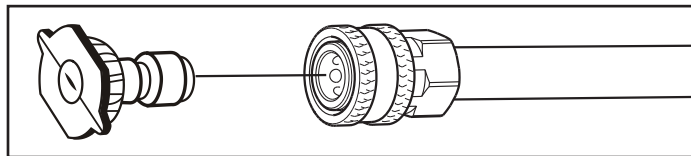
1. Place pressure washer near an outside water source capable of supplying water at a flow rate greater than 3.0 gallons (11.4 l) per minute and no less than 20 PSI (1.3 BAR) at pressure washer end of garden hose. DO NOT siphon supply water.
2. Check that high pressure hose is tightly connected to spray gun and pump. See *Assembly* section.
3. Make sure unit is in a level position.
4. Connect garden hose to water inlet on pressure washer pump.

**NOTICE** DO NOT run the pump without the water supply connected and turned on.

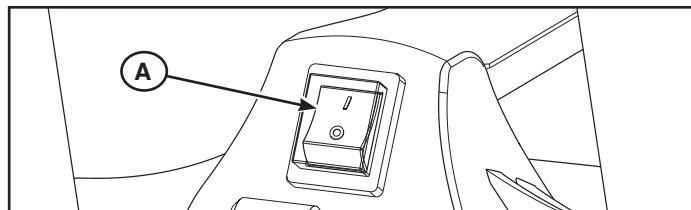
- Damage to equipment resulting from failure to follow this instruction will void warranty.
5. Turn ON water, point gun in a safe direction, press red button and squeeze trigger to purge pump system of air and impurities.
  6. Attach spray wand to spray gun. Tighten by hand.



7. Choose spray tip you want to use, pull back on collar of spray wand, insert spray tip and release collar. Tug on spray tip to make sure it is securely in place. See *How to Use Spray Tips*.



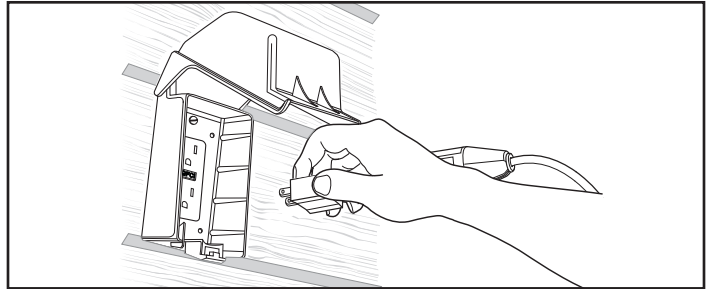
8. Push master ON/OFF switch **(A)** to OFF (0) position.



**⚠ WARNING** Risk of electrocution. Use of an extension cord could cause electric shock or burn resulting in death or serious injury.

- DO NOT use an extension cord with this electric pressure washer. Your home's electrical circuit receptacle or extension cord may not provide lifesaving ground-fault circuit-interruption protection.

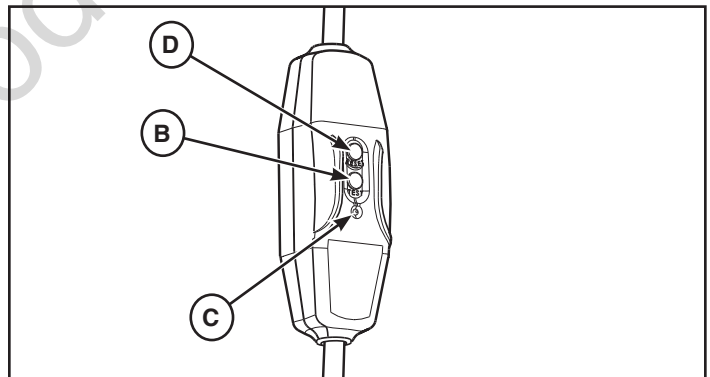
9. Plug electrical power cord into a dedicated electrical circuit rated for 120 Volts AC at 15 Amps that is properly installed in accordance with all local codes and ordinances. Circuit is not to supply any other electrical needs. The indicator light on the GFCI should be ON.



**NOTICE** The indicator light must be ON for the electric pressure washer to operate.

**⚠ WARNING** Risk of electrocution. Non-operating ground fault circuit interrupter (GFCI) could result in death or bodily injury. If indicator light does not stay ON after test and reset, do not use GFCI.

10. Press TEST button **(B)**. The indicator light **(C)** should be OFF.



11. Press RESET button **(D)**. The indicator light **(C)** should be ON.

**NOTICE** DO NOT use the electric pressure washer if above test fails.

12. Press the master ON/OFF switch **(A)** to the pressure washer ON (I) position.
13. Point gun in a safe direction, press trigger lock button and squeeze trigger.

The electric pressure washer motor will start and stop as spray gun trigger is depressed and released.

The electric pressure washer is now ready for use.

Instructions for use of the supplied accessories are given later in this section.

## How to Stop Your Electric Pressure Washer

The electric pressure washer motor runs only when the trigger is engaged. To stop the electric pressure washer and turn off the motor:

1. Release spray gun trigger.
2. Press the master ON/OFF switch to the OFF (0) position.

**NOTICE** Releasing the trigger will shut off the motor but does not shut off electrical power to the unit.

3. Turn off water supply.
4. ALWAYS point spray gun in a safe direction, press trigger lock button and squeeze trigger to relieve built up pressure in the unit.

**⚠ WARNING** The high pressure stream of water that this equipment produces could cut through skin and its underlying tissues, resulting in serious injury and possible amputation.

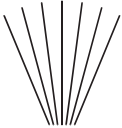



Spray gun traps high water pressure, even when motor is stopped and water is disconnected, which could result in serious injury.

- Keep high pressure hose connected to pump and spray gun while system is pressurized.
- ALWAYS point spray gun in safe direction, squeeze spray gun trigger to release high pressure, every time you turn off pressure washer.

5. Disconnect GFCI plug from outlet.

## How to Use Spray Tips

There are four spray tips supplied with the pressure washer. The turbo spray tip whirls a powerful pin-point jet of water for intense cleaning. The yellow and white spray tips are for various high pressure applications. The foamer spray tip is for general soap applications.

 <p>Low Pressure Foamer Use to apply detergent</p>	 <p>Delicate Rinse White, 40° Cars / Vans / Trucks / Outdoor Furniture</p> <p>1300 PSI (90 bar) 1.1 GPM (4.1 LPM)</p>
 <p>General Rinse Yellow, 15° Siding / Patios Decks / Driveways / Garage Floors</p> <p>2200 PSI (152 bar) 1.0 GPM (3.7 LPM)</p>	 <p>Intense Cleaning Turbo Paint Removal / Oil Stains / Rust Removal</p> <p>900 PSI (6 bar) 1.2 GPM (4.5 LPM)</p>

### Usage Tips

- For most effective cleaning, keep spray tip from 8 to 24 inches away from cleaning surface.
- If you get spray tip too close, especially using a high pressure spray tip, you may damage surface being cleaned.
- DO NOT get closer than 6 inches when cleaning tires.

## Applying Detergent

**⚠ WARNING** Chemical Burn Hazard.

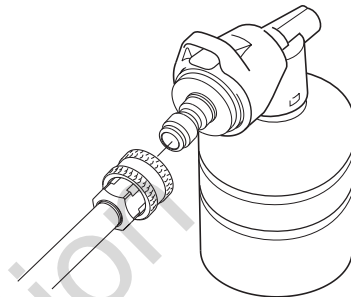


Chemicals could cause burns resulting in death or serious injury.

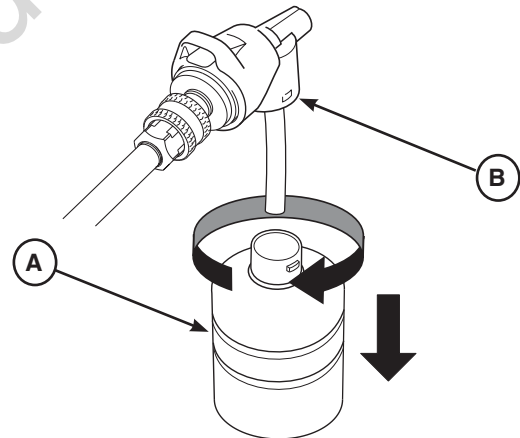
- Always wear indirect vented (chemical splash) safety goggles marked to comply with ANSI Z87.1 when using chemicals.
- DO NOT substitute safety glasses or dry-condition goggles for indirect vented safety goggles.
- DO NOT use caustic liquid with electric pressure washer.
- Use ONLY pressure washer safe detergents/soaps. Follow all manufacturers instructions.

**To apply detergent, follow these steps:**

1. Install foamer spray tip with detergent bottle.



2. Prepare detergent solution as required by job.
3. Rotate detergent bottle (A) counter-clockwise and remove from foamer spray tip (B).



4. Fill bottle with detergent solution.
5. Reinstall detergent bottle onto foamer spray tip and turn clockwise until it clicks into place.
6. Make sure garden hose is connected to water inlet. Check that high pressure hose is connected to spray gun and high pressure outlet. Turn on water.

**NOTICE** You must attach all hoses before you start the pressure washer.

7. Start the pressure washer as instructed in *How to Start Your Electric Pressure Washer*.
8. Apply detergent to a dry surface, starting at lower portion of area to be washed and work upward using long, even, overlapping strokes.
9. Allow detergent to “soak in” for 3-5 minutes before washing and rinsing. Reapply as needed to prevent surface from drying. To prevent streaking, do not allow detergent to dry on surface.

### Electric Pressure Washer Rinsing

1. Remove foamer spray tip from wand.
2. Install white or yellow spray tip.
3. Keep spray gun a safe distance from area you plan to spray.

**⚠ WARNING** Risk of kickback.



Spray gun could kickback causing you to fall resulting in death or serious injury.

- Operate the electric pressure washer from a stable surface.
- Be extremely careful if you must use the electric pressure washer from a ladder, scaffolding, or any other similar location.
- Firmly grasp spray gun with both hands when using power spray modes to avoid injury when spray gun kicks back.

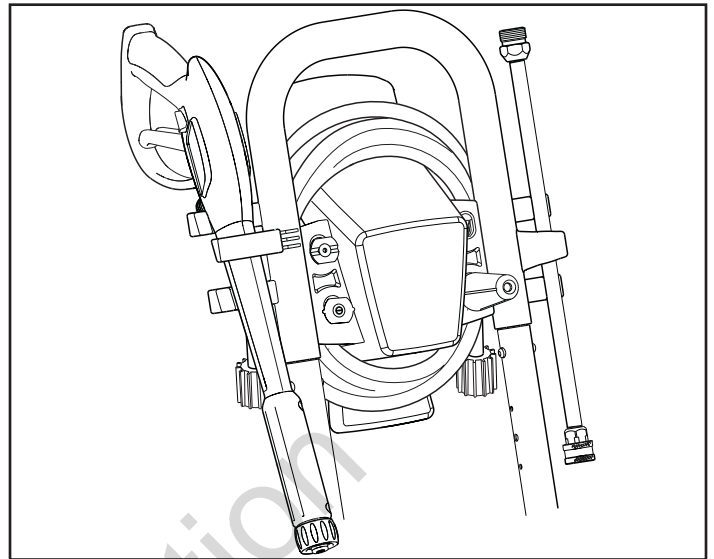
4. Apply a high pressure spray to a small area and then check surface for damage. If no damage is found, you can assume it is okay to continue rinsing.
5. Start at top of area to be rinsed, working down with same overlapping strokes as you used for cleaning.

### Other Cleaning Tips

- NEVER leave the electric pressure washer unattended while it is plugged into an electrical outlet and while water is supplied to the equipment.
- If you have the spray tip too far away from the surface being washed, the cleaning may not be as effective.

### How to Store Accessories

The unit is equipped with areas to store your high pressure hose, spray gun, spray wand, and power cord. Coil power cord on brackets on ends of main unit. Wrap high pressure hose and store on hook on back of accessory tray. Store spray gun in slots on left side of accessory tray. Snap spray wand in slots on right side of accessory tray. Store spray tips in holes on front of accessory tray. Identify all accessories with the illustrations in *Features and Controls*.



# Maintenance

## General Recommendations

Regular maintenance will improve the performance and extend the life of the electric pressure washer.

The electric pressure washer's warranty does not cover items that have been subjected to operator abuse or negligence. To receive full value from the warranty, the operator must maintain the electric pressure washer as instructed in this manual, including proper storage.

**NOTICE** Should you have questions about replacing components on your electric pressure washer, please call **(800) 743-4115** for assistance.

### Before Each Use

1. Clean debris.
2. Check water inlet screen for debris or damage.
3. Check high pressure hose for leaks.
4. Check spray gun operation.

## Electric Pressure Washer Maintenance

### Clean Debris

Daily or before use, clean accumulated debris from electric pressure washer. Inspect cooling air slots and openings on the front, rear and bottom of the electric pressure washer. These openings must be kept clean and unobstructed.

The electric pressure washer parts should be kept clean to reduce the risk of overheating and ignition of accumulated debris.

- Use a damp cloth to wipe exterior surfaces clean.

**NOTICE** Improper treatment of the electric pressure washer can damage it and/or shorten its life.


- DO NOT insert any objects through cooling slots.

### Check and Clean Water Inlet Screen

Examine the screen on the unit's water inlet. Clean it if the screen is clogged or replace it if screen is damaged.

### Check High Pressure Hose

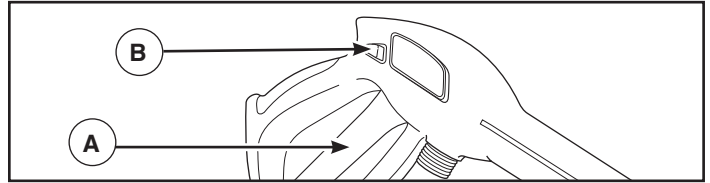
The high pressure hose can develop leaks from wear, kinking, or abuse. Inspect the hose each time before using it. Check for cuts, leaks, abrasions or bulging of cover, damage or movement of couplings. If any of these conditions exist, replace the hose immediately.

 **WARNING** The high pressure stream of water that this equipment produces could cut through skin and its underlying tissues, resulting in serious injury and possible amputation.

- NEVER repair high pressure hose. Replace it.
- Replacement hose rating MUST equal or exceed maximum pressure rating of unit.

## Check Spray Gun


Examine the hose connection to the spray gun and make sure it is secure. Test the trigger (**A**) by pressing the trigger lock button (**B**) and making sure the trigger "springs back" into place when you release it. You should not be able to press the trigger without pressing the trigger lock button. Replace spray gun immediately if it fails any of these tests.



## Spray Tip Maintenance

Excessive pump pressure can cause a pulsing sensation felt while squeezing the spray gun trigger. The principal cause of excessive pump pressure is a spray tip clogged or restricted with foreign materials such as dirt, etc. A clogged spray tip could lead to pump cycling ON/OFF or not turning on even when there is some flow.

1. Press the master ON/OFF switch to the OFF (0) position. Remove power cord plug from electrical outlet.
2. Disconnect water supply at the electric pressure washer.
3. ALWAYS point spray gun in a safe direction, press trigger lock button and squeeze spray gun trigger to release retained high water pressure.

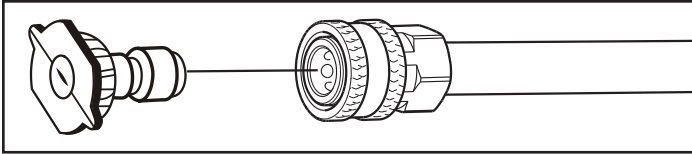
 **WARNING** The high pressure stream of water that this equipment produces could cut through skin and its underlying tissues, resulting in serious injury and possible amputation.

Spray gun traps high water pressure, even when motor is stopped and water is disconnected, which could result in serious injury.

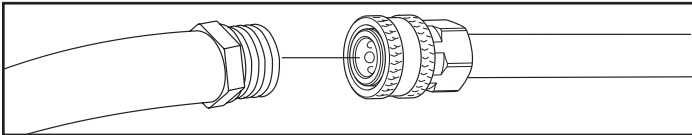
- Keep high pressure hose connected to pump and spray gun while system is pressurized.
- ALWAYS point spray gun in safe direction, squeeze spray gun trigger to release high pressure, every time you turn off pressure washer.



4. Remove spray tip from end of spray wand.
5. Use a small paper clip to free any foreign material clogging or restricting any of the spray tips.



6. Using a garden hose, remove additional debris by back flushing water through spray wand. Back flush between 30 to 60 seconds.



7. Reinstall spray tip into spray wand.
8. Reconnect spray wand to spray gun.
9. Make sure garden hose is connected to water inlet. Check that high pressure hose is connected to spray gun. Turn on water.
10. Plug power cord into electrical outlet and press the master ON/OFF switch to the pressure washer ON (I) position.
11. Test the electric pressure washer by operating with each spray tip.

## Pump and Motor Maintenance

The electric pressure washer does not require any maintenance to the pump or motor. Both assemblies are pre-lubricated and sealed, requiring no additional lubrication ever.

## After Each Use

Water should not remain in the unit for long periods of time. Sediments or minerals can deposit on pump parts and “freeze” pump action. Follow these procedures after every use:

1. Flush detergent bottle (if used) by removing it from the foamer spray tip and pouring out all remaining solution.
2. Rinse detergent bottle out with fresh clean water and reinstall onto foamer spray tip.
3. Run the electric pressure washer with foamer spray tip. Flush for one or two minutes.
4. Press the master ON/OFF switch to the OFF (0) position.
5. Turn off water supply, point gun in a safe direction, press red button and squeeze trigger to relieve trapped pressure, and let engine cool.
6. Disconnect hose from spray gun and high pressure outlet on pump. Drain water from hose, spray gun, and spray wand. Use a rag to wipe off the hose.
7. Drain water from pump by tipping unit to the side (water inlet facing down) for two minutes. Tip to the other side (high pressure outlet facing down) for an additional two minutes.
8. Wrap high pressure and store on hook on back of accessory tray.
9. Coil power cord on brackets.

10. Store spray gun and spray wand in slots on accessory tray. Store spray tips in holes on accessory tray.
11. Store unit in a clean, dry area.
12. If storing for more than 30 days see *Winter or Long Term Storage*.

## Winter or Long Term Storage

Follow steps 1-10 in *After Each Use*.

**NOTICE** Water left in pump could freeze and permanently damage pump. Freeze damage is not covered under warranty.

## Protecting the Pump

To protect the pump from damage caused by mineral deposits or freezing, use PumpSaver, Model 6039, to treat pump. This prevents freeze damage and lubricates plunger and seals.

**NOTICE** PumpSaver is available as an optional accessory. It is not included with the electric pressure washer. Contact the nearest authorized service center to purchase Pump Saver.

**NOTICE** You must protect your unit from freezing temperatures.

- Failure to do so will permanently damage your pump and spray gun rendering your product inoperable.
- Freeze damage is not covered under warranty.

To use PumpSaver, make sure the electric pressure washer is turned off and inlet and outlet hoses are disconnected. Read and follow all instructions and warnings given on the PumpSaver container.

## Final Storage Procedures

1. Wrap high pressure and store on hook on back of accessory tray.
2. Coil power cord on brackets.
3. Store spray gun and spray wand in slots on accessory tray. Store spray tips in holes on accessory tray.
4. Store unit in a clean, dry area that is protected from freezing temperatures.
5. Cover unit with a suitable protective cover that does not retain moisture.



# Troubleshooting

Problem	Cause	Correction
<b>Pump has following problems: failure to produce pressure, erratic pressure, chattering, loss of pressure, low water volume.</b>	<ol style="list-style-type: none"> <li>1. Water inlet is blocked.</li> <li>2. Inadequate water supply.</li> <li>3. Garden hose is kinked or leaking.</li> <li>4. Clogged water inlet screen.</li> <li>5. Water supply is over 100°F (38°C).</li> <li>6. High pressure hose is blocked or leaks.</li> <li>7. Spray tip is obstructed.</li> </ol>	<ol style="list-style-type: none"> <li>1. Clear inlet.</li> <li>2. Provide adequate water flow.</li> <li>3. Straighten garden hose or replace if leaking.</li> <li>4. Check and clean water inlet screen.</li> <li>5. Provide cooler water supply.</li> <li>6. Clear blocks in high pressure hose or replace hose.</li> <li>7. Clean spray tip.</li> </ol>
<b>Unit fails to start when spray gun trigger is squeezed.</b>	<ol style="list-style-type: none"> <li>1. Water supply is not turned on.</li> <li>2. Unit is not turned on.</li> <li>3. Garden hose is too long.</li> <li>4. Fuse blown or circuit breaker tripped.</li> </ol>	<ol style="list-style-type: none"> <li>1. Turn on water supply.</li> <li>2. Press the master ON/OFF switch to the ON (I) position. Reset GFCI.</li> <li>3. Use only 50 ft. (15.24 m) maximum garden hose.</li> <li>4. a.) Check fuse box for blown fuse and replace as necessary or reset circuit breaker. Do not use a fuse or circuit breaker with a higher rating than that specified for your particular branch circuit. b.) Disconnect other electrical appliances and turn off lights in the circuit or operate the pressure washer on its own dedicated circuit. c.) Run pressure washer with any spray tip for 5 minutes. Motor break in may be necessary.</li> </ol>
<b>Detergent fails to mix with spray.</b>	<ol style="list-style-type: none"> <li>1. High pressure spray tip is installed.</li> </ol>	<ol style="list-style-type: none"> <li>1. Install foamer spray tip.</li> </ol>
<b>Hose connections leaking.</b>	<ol style="list-style-type: none"> <li>1. Garden hose loose to water inlet.</li> <li>2. Loose high pressure hose connections.</li> <li>3. Damaged o-ring.</li> </ol>	<ol style="list-style-type: none"> <li>1. Hand tighten garden hose to water inlet.</li> <li>2. Remove hose completely and reinstall hand tight.</li> <li>3. Replace o-ring.</li> </ol>

**For all other issues, see a Briggs & Stratton authorized dealer.**

## BRIGGS & STRATTON WARRANTY POLICY

### LIMITED WARRANTY

Briggs & Stratton warrants that, during the warranty period specified below, it will repair or replace, free of charge, any part that is defective in material or workmanship or both. Transportation charges on product submitted for repair or replacement under this warranty must be borne by purchaser. This warranty is effective for and is subject to the time periods and conditions stated below. For warranty service, contact Briggs & Stratton Customer Service by phone at (800) 743-4115, or on the internet at BRIGGSANDSTRATTON.COM.

**There is no other express warranty. Implied warranties, including those of merchantability and fitness for a particular purpose, are limited to the warranty period listed below, or to the extent permitted by law. Liability for incidental or consequential damages are excluded to the extent exclusion is permitted by law.** Some states or countries do not allow limitations on how long an implied warranty lasts, and some states or countries do not allow the exclusion or limitation of incidental or consequential damages, so the above limitation and exclusion may not apply to you. This warranty gives you specific legal rights and you may also have other rights which vary from state to state or country to country.\*\*

### WARRANTY PERIOD

Consumer Use	Commercial Use
12 months	None

\*\* In Australia - Our goods come with guarantees that cannot be excluded under the Australian Consumer Law. You are entitled to a replacement or refund for a major failure and for compensation for any other reasonably foreseeable loss or damage. You are also entitled to have the goods repaired or replaced if the goods fail to be of acceptable quality and the failure does not amount to a major failure. For warranty service, find the nearest Authorized Service Dealer in our dealer locator map at BRIGGSandSTRATTON.COM, or by calling 1300 274 447, or by emailing or writing to salesenquires@briggsandstratton.com.au, Briggs & Stratton Australia Pty Ltd, 1 Moorebank Avenue, NSW, Australia, 2170.

The warranty period begins on the date of purchase by the first retail or commercial consumer. "Consumer use" means personal residential household use by a retail consumer. "Commercial use" means all other uses, including use for commercial, income producing or rental purposes. Once a product has experienced commercial use, it shall thereafter be considered as a commercial use product for purposes of this warranty.

Save your proof of purchase receipt. If you do not provide proof of the initial purchase date at the time warranty service is requested, the manufacturing date of the product will be used to determine the warranty period. Product registration is not required to obtain warranty service on Briggs & Stratton products.

### ABOUT YOUR WARRANTY

Most warranty repairs are handled routinely, but sometimes requests for warranty service may not be appropriate. This warranty covers only defects in materials or workmanship. It does not cover damage caused by improper use or abuse, improper maintenance or repair, normal wear and tear, or stale or unapproved fuel.

**Improper Use and Abuse** - The proper, intended use of this product is described in the Operator's Manual. Using the product in a way not described in the Operator's Manual or using the product after it has been damaged will not be covered under this warranty. Warranty coverage will also not be provided if the serial number on the product has been removed or the product has been altered or modified in any way, or if the product has evidence of abuse such as impact damage or water/chemical corrosion damage.

**Improper Maintenance or Repair** - This product must be maintained according to the procedures and schedules provided in the Operator's Manual, and serviced or repaired using genuine Briggs & Stratton parts or equivalent. Damage caused by lack of maintenance or use of non-original parts is not covered by warranty.

**Normal Wear and Tear** - Like most mechanical devices, your unit is subject to wear even when properly maintained. This warranty does not cover repairs when normal use has exhausted the life of a part or the equipment. Maintenance and wear items such as filters, belts, cutting blades, and brake pads (except engine brake pads) are not covered by warranty due to wear characteristics alone, unless the cause is due to defects in material or workmanship.

**Stale or Unapproved Fuel** - In order to function correctly, this product requires fresh fuel that conforms to the criteria specified in the Operator's Manual. Engine or equipment damage caused by stale fuel or the use of unapproved fuels (such as E15 or E85 ethanol blends) is not covered by warranty.

**Other Exclusions** - This warranty excludes damage due to accident, abuse, modifications, alterations, improper servicing, freezing or chemical deterioration.

Attachments or accessories that were not originally packaged with the product are also excluded. There is no warranty coverage on equipment used for primary power in place of utility power or on equipment used in life support applications. This warranty does not include used, reconditioned, second-hand, or demonstration equipment or engines. This warranty also excludes failures due to acts of God and other force majeure events beyond the manufacturer's control.

80018419\_EN Rev A



# Electric Pressure Washer

## Specifications

Max Pressure .....	2,200 PSI (152 BAR)* @ 1.0 GPM (3.8 liters/min)
Max Flow Rate .....	1.2 GPM (4.5 liters/min)* @ 900 PSI (62 BAR)
Detergent Mix .....	See MFR's Instructions
Water Supply Temperature .....	41°F (5°C) - 100°F (38°C)
Motor .....	Induction Type
Rated Voltage .....	120 Volts AC
Current .....	14.5 Amps

Not for  
Reproduction

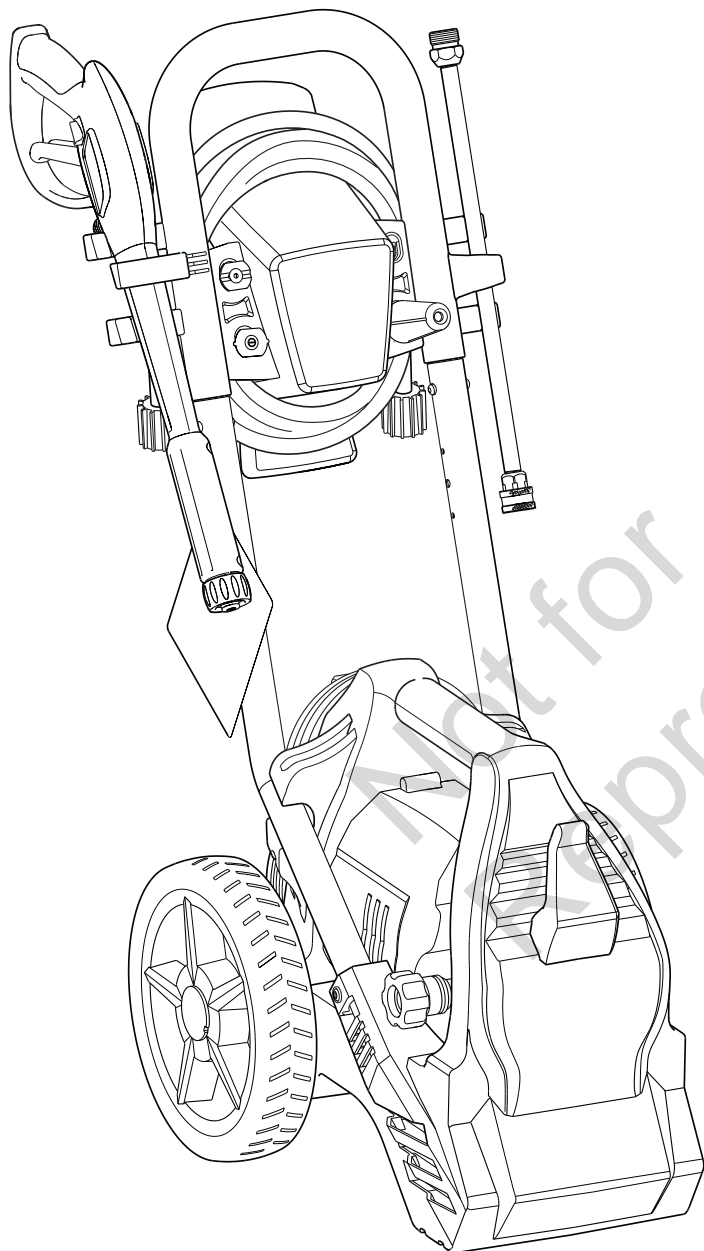
\* This pressure washer is rated in accordance to the Pressure Washer Manufacturers Association (PWMA) standard PW101-2010 (Testing and Rating Performance of Pressure Washers).

Briggs & Stratton Corporation  
P.O. Box 702  
Milwaukee, Wisconsin, 53201-0702 U.S.A.



# Hidrolavadora eléctrica

## MANUAL DEL OPERARIO



Esta limpiadora a presión está clasificada conforme a la norma PW101-2010 (Comprobación y Clasificación de Rendimiento de Limpiadoras a Presión) de la Asociación de Fabricantes de Limpiadoras a Presión (PWMA).

**BRIGGS & STRATTON CORPORATION**  
**MILWAUKEE, WISCONSIN, EE. UU.**

**Gracias** por comprar esta hidrolavadora eléctrica Briggs & Stratton® de alta calidad. Nos complace que haya depositado su confianza en la marca Briggs & Stratton. Si la operación y el mantenimiento de su producto Briggs & Stratton se realiza según las instrucciones de este manual, le proporcionará muchos años de servicio confiable.

**Este manual contiene** información de seguridad para alertarlo sobre los peligros y riesgos asociados con las hidrolavadoras eléctricas, y para indicarle cómo evitarlos. Dado que Briggs & Stratton no conoce necesariamente todas las aplicaciones para las cuales se podría utilizar esta hidrolavadora eléctrica, es importante que usted lea detalladamente y entienda estas instrucciones antes de hacer arrancar o utilizar este equipo. **Guarde estas instrucciones originales para futuras consultas.**

**Esta hidrolavadora eléctrica requiere su montaje final antes de su uso.** Consulte la sección *Montaje* de este manual para conocer las instrucciones sobre los procedimientos de montaje final. Siga las instrucciones detalladamente.

## Contacto

Nunca debe ir demasiado lejos para encontrar el soporte y el servicio de Briggs & Stratton para su hidrolavadora eléctrica. Existen más de 30.000 distribuidores de servicio autorizado por Briggs & Stratton en todo el mundo, quienes suministran servicio de calidad. También puede ponerse en contacto con Atención al Cliente de Briggs & Stratton por teléfono al **(800) 743-4115** o en Internet en BRIGGSandSTRATTON.COM.

### Hidrolavadora eléctrica

Número de modelo \_\_\_\_\_

Revisión \_\_\_\_\_

Número de serie \_\_\_\_\_

**Fecha de compra** \_\_\_\_\_

### Registrar su producto

Para asegurar pronta y completa cobertura de la garantía, registre su producto en línea en [www.onlineproductregistration.com](http://www.onlineproductregistration.com).

## Índice


Seguridad del operador .....	3
Montaje .....	6
Características y controles .....	8
Operación .....	9
Mantenimiento .....	12
Almacenamiento .....	14
Solución de problemas .....	15
Garantía .....	16
Especificaciones .....	18



# Seguridad del operador

## CONSERVE ESTAS INSTRUCCIONES

### Descripción del equipo

 **ADVERTENCIA** No leer ni seguir las instrucciones del manual del operador y todas las instrucciones de funcionamiento antes de usar la unidad podría ocasionar la muerte o lesiones graves.

- Lea este manual cuidadosamente y familiarícese con la hidrolavadora eléctrica. Conozca sus aplicaciones, sus limitaciones y los peligros involucrados.

Esta lavadora de presión eléctrica opera a un máximo de 152 bar (2200 PSI) con una punta de pulverización amarilla y a un caudal de hasta 4.5 LPM (litros) (1,2 GPM (galones)) por minuto con una punta de pulverización turbo.

Hemos hecho todo lo posible para asegurarnos de que la información de este manual sea precisa y esté actualizada. No obstante, nos reservamos el derecho a cambiar, modificar o mejorar el producto y este documento en cualquier momento y sin previo aviso.

Este dispositivo ISM cumple con la norma canadiense ICES-001.

### Circuitos protegidos con interruptores a tierra

Esta arandela de presión se proporciona con un circuito protegido con interruptores a tierra (GFCI) integrado en el enchufe del cable de alimentación. Este dispositivo aporta una mayor protección frente al riesgo de descarga eléctrica. En el caso de que sea necesario sustituir el enchufe o el cable, utilice piezas de repuestos exactamente idénticas que dispongan de protección GFCI.

### Apagado automático

La hidrolavadora eléctrica está equipada con un sensor que detectará si el flujo de agua se detuvo al activar o bloquear el gatillo de la pistola pulverizadora. El sensor hará que el motor se apague siempre que el gatillo de la pistola pulverizadora se active o bloquee.

Si el motor continúa en funcionamiento cuando se activa o bloquea el gatillo de la pistola pulverizadora, **NO USE LA MÁQUINA**. Llame al teléfono de ayuda de la hidrolavadora eléctrica: **(800) 743-4115** para obtener asistencia.

**AVISO** La hidrolavadora eléctrica está equipada con un interruptor de encendido/apagado de la alimentación principal. El interruptor siempre debe estar en la posición de apagado (0) cuando no se usa la hidrolavadora eléctrica para evitar probables daños.

### Sobrecarga del motor

El motor eléctrico de esta hidrolavadora eléctrica está equipado con un dispositivo de protección por sobrecarga (termostato). Este dispositivo apagará automáticamente el motor si este se recalienta o utiliza corriente en exceso.

Si se activa el dispositivo de protección por sobrecarga, desconecte la alimentación. Para ello, coloque el interruptor principal de encendido/apagado en la posición de apagado (0). Deje que la unidad se enfríe durante 30 minutos. Luego, coloque el interruptor principal de encendido/apagado en la posición de encendido (I) para continuar con el funcionamiento.

## Información de seguridad importante

Lea y comprenda todo el manual antes de armar, hacer funcionar o realizar operaciones de reparación/mantenimiento en el producto. Siga las instrucciones de mantenimiento especificadas en este manual. Si tiene alguna pregunta relacionada con este producto, por favor, póngase en contacto con el servicio de atención llamando al cliente al **(800) 743-4115**, de lunes a viernes, de 8.00 a 17.00, CST.

### Símbolos de seguridad y significados



Lea el manual



Descarga eléctrica



Fuego



Superficie resbaladiza



Caídas



Inyección de fluidos




Proyectil





Objetos voladores




Quemadura química

 El símbolo de alerta de seguridad indica un posible riesgo para su integridad física. Se utiliza una palabra de señalización (**PELIGRO**, **ADVERTENCIA** o **PRECAUCIÓN**) junto con el símbolo de alerta para designar un grado o nivel de gravedad de riesgo. Se puede utilizar un símbolo de seguridad para representar el tipo de riesgo. **AVISO** indica una información considerada importante, pero no relacionada con un peligro potencial.

 **PELIGRO** indica un peligro que, si no se evita, *ocasionará* la muerte o una lesión grave.

 **ADVERTENCIA** indica un peligro que, si no se evita, *podría ocasionar* la muerte o una lesión grave.

 **PRECAUCIÓN** indica un peligro que, si no se evita, *podría ocasionar* en lesión leve o moderada.

**AVISO** indica una información considerada importante, pero no relacionada con un peligro potencial.

**⚠ ADVERTENCIA** Riesgo de electrocución. El uso de un cable de prolongación podría ocasionar descarga eléctrica o quemaduras que pueden provocar lesiones graves o la muerte.

- NO use un cable de prolongación con esta hidrolavadora eléctrica. Es posible que el cable de prolongación o el enchufe del circuito eléctrico de su casa no proporcione la protección del interruptor de circuito por fallos con conexión a tierra que resguarda la vida de las personas.

**⚠ ADVERTENCIA** Riesgo de electrocución. El contacto con ambos conductores de alimentación al mismo tiempo podría ocasionar descarga eléctrica o quemaduras que pueden provocar lesiones graves o la muerte.

- Conectarla solo a un toma corriente con una buena descarga a tierra. NO quite el terminal de tierra del enchufe.
- Inspeccione el cable antes de cada uso, NO lo utilice si está dañado.
- El producto está equipado con un interruptor de circuito por fallos con conexión a tierra (GFCI) montado en el enchufe del cable de alimentación. Si es necesario cambiar el enchufe o el cable, utilice solamente piezas de repuesto idénticas.
- Mantenga todas las conexiones secas y alejadas del suelo.
- NO toque el enchufe con las manos mojadas.
- NO pase el cable a través de puertas, ventanas, agujeros en los techos, paredes o pisos.
- NO camine sobre el cable.
- NO conduzca sobre el cable ni arrastre o coloque objetos sobre él.
- NO pulverice cerca de una fuente de alimentación.

**⚠ ADVERTENCIA** El uso de la hidrolavadora eléctrica podría formar charcos y generar superficies resbaladizas. Riesgo de contragolpe. La pistola de pulverización podría causar un contragolpe, con riesgo de caída que podría provocar la muerte o lesiones graves.

- Opere la hidrolavadora eléctrica desde una superficie estable.
- No se estire ni se pare sobre un apoyo inestable. Mantenga una postura firme y un buen equilibrio en todo momento.
- La zona de limpieza debe tener inclinaciones adecuadas y sistema de drenaje para reducir la posibilidad de caída debido a superficies resbaladizas.
- Sea extremadamente cuidadoso si debe usar la hidrolavadora eléctrica desde una escalera, un andamio u otro lugar similar.
- Sujete firmemente la pistola de pulverización con ambas manos al utilizar modos de pulverización eléctrica para evitar lesiones en caso de contragolpe de la pistola.

**⚠ ADVERTENCIA** Riesgo de lesiones oculares o corporales. La pulverización podría salpicar, propulsar objetos o causar daños internos, lo que puede provocar lesiones graves.

- Siempre use gafas de seguridad con ventilación indirecta (salpicaduras de productos químicos) identificadas en cumplimiento de la norma ANSI Z87.1 cuando utilice este equipo o esté cerca de él. NUNCA sustituya las gafas de seguridad con ventilación indirecta con gafas de seguridad o gafas de condición seca.
- Sepa cómo detener la hidrolavadora y descargar la presión rápidamente. Familiarícese completamente con los controles.
- NO permita que ningún NIÑO opere la hidrolavadora eléctrica.
- Mantenga el área de operación libre de personas.
- Inspeccione la manguera de alta presión antes de cada uso. NUNCA repare la manguera de alta presión; reemplácela.
- NO repare las conexiones con fugas con sellador de ningún tipo; reemplace las juntas tóricas y juntas.
- Mantenga la manguera conectada a la hidrolavadora eléctrica y a la pistola de pulverización cuando el sistema esté presurizado.
- SIEMPRE apunte con la pistola de pulverización hacia una dirección segura mientras el sistema esté presurizado y apriete el gatillo de la pistola para liberar la alta presión, cada vez que apague la hidrolavadora.
- NO apunte la pistola de pulverización hacia personas o animales.
- NO beba de los accesorios conectados a la manguera.
- NO fije la pistola de pulverización en la posición abierta.
- NO deje la pistola de pulverización desatendida cuando la hidrolavadora eléctrica está en la posición de encendido (I).
- NO utilice una pistola de pulverización que no tenga un bloqueo o seguro de gatillo instalado y en buenas condiciones.
- Asegúrese siempre de que la pistola de pulverización y los accesorios estén conectados correctamente.
- Manténgase alerta, observe lo que está haciendo.
- NO haga funcionar el producto si está cansado o bajo la influencia de alcohol o drogas.
- Se requiere supervisión minuciosa cuando este producto se utiliza cerca de niños.

**⚠ ADVERTENCIA** El chorro de agua a alta presión que este equipo produce podría atravesar la piel y los tejidos subcutáneos, y provocar lesiones graves y posible amputación.

- La pistola de pulverización acumula agua a alta presión, incluso con el motor detenido y el agua desconectada, lo que puede provocar lesiones graves.
- NUNCA apunte la pistola de pulverización hacia personas, animales o plantas.
- SIEMPRE apunte con la pistola de pulverización hacia una dirección segura y apriete el gatillo de la pistola para liberar la alta presión, cada vez que apague la hidrolavadora.

**⚠ ADVERTENCIA** Riesgo de incendio. Pulverizar líquidos inflamables podría causar la muerte o lesiones graves.



- NO pulverice líquidos inflamables.

**⚠ ADVERTENCIA** Riesgo de incendio. Un cable sobrecalentado podría provocar la muerte o lesiones graves.



- Desenrolle el cable completamente antes de su uso.
- NO cubra el cable con ningún material.

**⚠ ADVERTENCIA** Peligro de quemaduras químicas. Los productos químicos podrían ocasionar quemaduras que podrían provocar la muerte o lesiones graves.



- Siempre use gafas de seguridad con ventilación indirecta (salpicaduras de productos químicos) identificadas en cumplimiento de la norma ANSI Z87.1 cuando utilice ese tipo de productos.
- NO sustituya las gafas de seguridad con ventilación indirecta con gafas de seguridad o gafas de condición seca.
- NO use líquido cáustico con la hidrolavadora eléctrica.
- Utilice **SOLAMENTE** detergentes o jabones de uso seguro en hidrolavadoras. Siga todas las instrucciones del fabricante.

**⚠ ADVERTENCIA** Este producto contiene plomo y compuestos de plomo que, de acuerdo al estado de California, pueden causar defectos de nacimiento u otros problemas reproductivos. Lávese las manos después de manipular este producto. Cáncer y problemas reproductivos – [www.P65Warnings.ca.gov](http://www.P65Warnings.ca.gov)

**AVISO** La pulverización a alta presión podría dañar objetos frágiles, incluido el vidrio.

- NO apunte la pistola de pulverización hacia objetos de vidrio cuando se utiliza el punta de rociado turbo.
- NUNCA apunte la pistola hacia plantas.

**AVISO** Deberá proteger su unidad de las temperaturas de congelación.

- Si no lo hace, dañará permanentemente la bomba y la unidad no podrá funcionar.
- Los daños producidos por congelación no están cubiertos por la garantía.

**AVISO** Un tratamiento inadecuado de la hidrolavadora eléctrica podría dañarla y acortar su vida útil.

- En caso de dudas sobre su uso previsto, diríjase al distribuidor o comuníquese con un centro de servicio autorizado.
- NO opere unidades con piezas rotas o faltantes, o sin sus carcasas o cubiertas de protección.
- NO eluda ningún dispositivo de seguridad en la hidrolavadora eléctrica.
- NO modifique la hidrolavadora eléctrica de ninguna manera.
- NO mueva la hidrolavadora eléctrica tirando de las mangueras. Mueva la unidad utilizando la manija de transporte suministrada.
- Utilice **SOLO** accesorios de marca destinados para su uso con este producto.

# Montaje



**Lea todo el manual del operador antes de intentar armar o hacer funcionar su hidrolavadora eléctrica nueva.**

Deberá armar la hidrolavadora eléctrica, pero no tardará mucho en poder tenerla lista para usarla. Si tiene problemas con el ensamblado de la hidrolavadora eléctrica, por favor, llame al número de teléfono de ayuda de la hidrolavadora eléctrica **(800) 743-4115**. Si solicita asistencia, tenga a mano el número de modelo, de revisión y de serie que puede ver en la etiqueta de identificación.

## Herramientas necesarias

- Destornillador Phillips, n.º 2

## Desembale la hidrolavadora eléctrica

1. Saque todos los elementos de la caja.
2. Asegúrese de tener todos los elementos que se incluyen antes de ensamblarla.

## Artículos incluidos en la caja

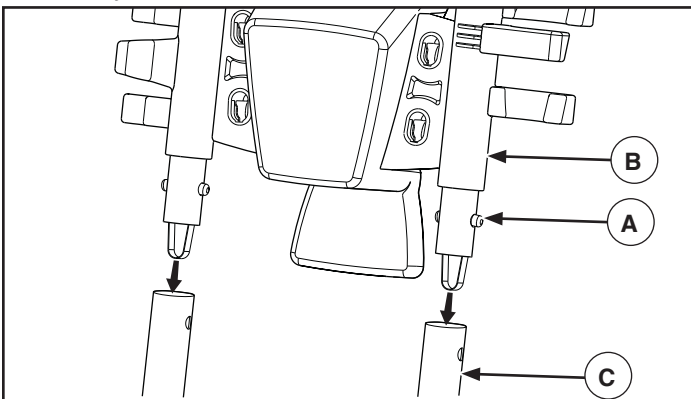
- Unidad principal
- Manija con bandeja de accesorios
- Pistola de pulverizadora
- Manguera de alta presión
- Varilla de rociado
- Puntas de rociado de conexión rápida (3)
- Punta de rociado espumante de conexión rápida con botella de detergente
- Tubos de soporte de la manija (2)
- Tornillos (2)
- Manual del operario

Revise todo el contenido. Si falta alguna de las piezas o alguna está dañada, NO los use, llame a la línea de ayuda de la hidrolavadora eléctrica: **(800) 743-4115**.

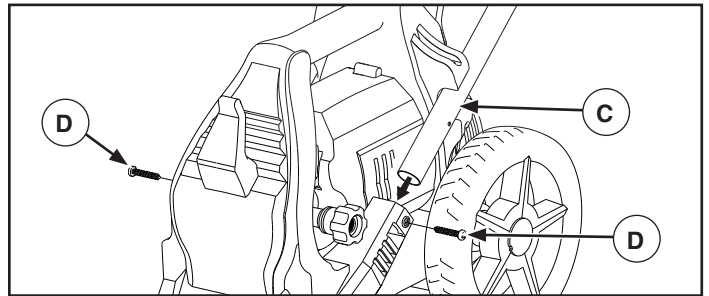
Familiarícese con todos los componentes antes de armar la hidrolavadora eléctrica. Identifique los contenidos con la ilustración que se muestra en *Características y controles*.

## Conecte la manija y los tubos de soporte

1. Mantenga presionados los botones de los pasadores de seguro (A) a cada lado de la manija. Deslice la manija (B) dentro de cada tubo de soporte (C) hasta que los botones de los pasadores de seguro se encajen en los orificios.



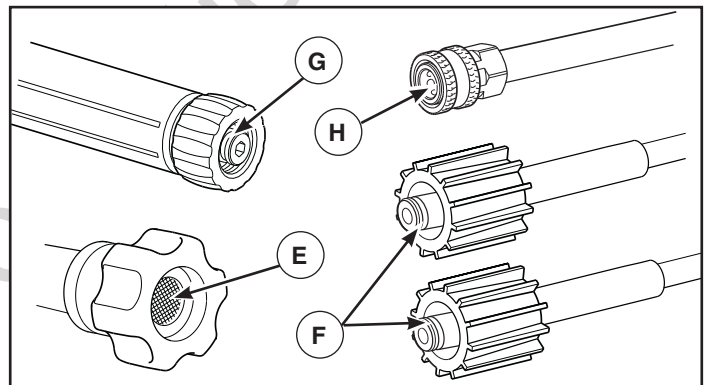
2. Deslice los tubos de soporte de la manija (C) en las ranuras en ambos lados de la unidad principal. Alinee los orificios e inserte los tornillos (D). Ajuste con un destornillador Philips n.º 2.



## Lubrique las juntas tóricas

La lubricación de las juntas tóricas es extremadamente importante para la instalación y el funcionamiento. El uso de un lubricante (grasa lubricante o sintética) durante el montaje ayuda a que las juntas tóricas se asienten correctamente y ofrece un mejor sellado. También ayuda a evitar que la junta tórica resulte dañada por abrasión, pellizcado o cortes, y aumenta la vida útil de la junta tórica.

**AVISO** SIEMPRE aplique una pequeña cantidad de lubricante en las juntas tóricas antes de montar la manguera de jardín a la bomba (E), manguera a alta presión (F), la pistola rociadora (G), y el varilla de rociado (H).



## Lubrique todas las conexiones mostradas debajo.

**Para ello, siga estas instrucciones:**

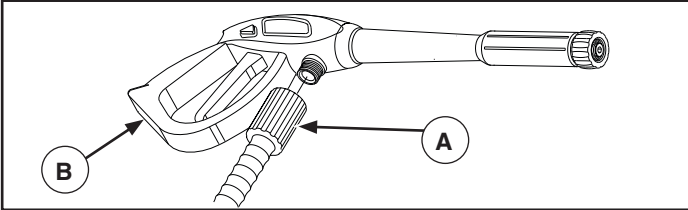
1. Revise y limpie las superficies de conexión antes de lubricar y armar.
2. Sea moderado en el uso de lubricantes durante el armado. Solo necesita una pequeña lubricación.
3. Use un cepillo pequeño o un bastoncillo de algodón para aplicar la grasa directamente a las juntas tóricas en los lugares donde no son accesibles (adaptador QC, adaptador M22).



## Conecte la manguera y el suministro de agua a la bomba

**AVISO** NO haga funcionar la bomba si no tiene el suministro conectado y abierto.

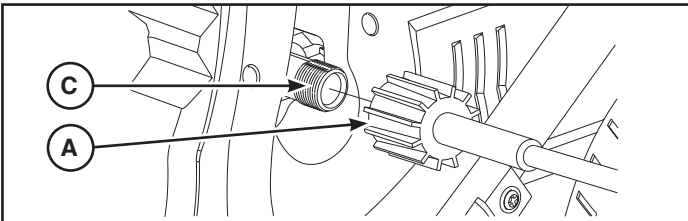
- El daño a la limpiadora a presión, resultado de la desatención a esta precaución, no será cubierto por la garantía.
1. Desenrolle la manguera de alta presión y conecte el extremo negro la manguera de alta presión (A) a la base de la pistola rociadora (B). Apriete con la mano.



**ADVERTENCIA** El chorro de agua a alta presión que este equipo produce podría atravesar la piel y los tejidos subcutáneos, que podrían provocar lesiones graves y la posible amputación de un miembro.

- NUNCA conecte la manguera de alta presión al prolongador de la boquilla.
- Mantenga conectada la manguera a la máquina o a la pistola de rociado cuando el sistema esté presurizado.
- Asegúrese en todo momento de conectar correctamente la pistola rociadora, las boquillas y los accesorios.

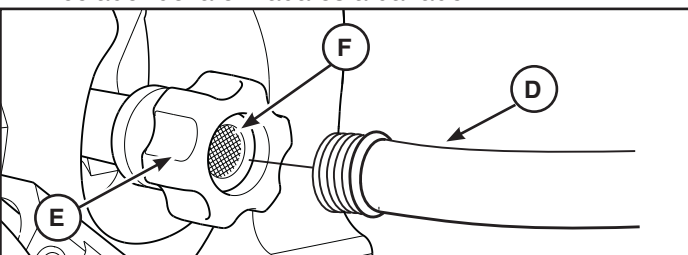
2. Conecte el extremo rojo de la manguera de alta presión (A) a la salida de alta presión (C) de la bomba. Apriete a mano.



3. Haga correr el agua a través de la manguera de su jardín por 30 segundos para limpiar cualquier escombros que se encuentre en ella. Corte el agua.

**AVISO** Hace no agua de parar de siphon para el abastecimiento de agua. Use agua SOLO fría (menos que 38°C (100°F)).

4. Antes de que conecte la manguera de jardín (D) a la entrada de agua (E), inspeccione el colador de la entrada (F). Limpie el colador si tiene residuos o solicite su remplazo si está dañado. NO haga funcionar la máquina limpiadora a presión si el colador de la entrada está dañado.



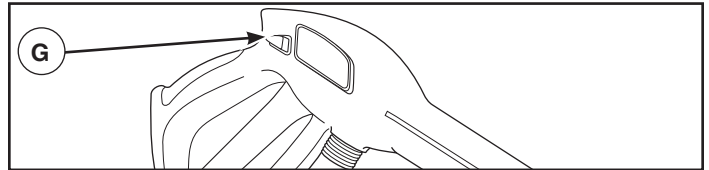
**AVISO** El uso de una válvula unidireccional (igualador de presión o válvula de retención) en la entrada de la bomba podría producir daños en la bomba o en el conector de entrada.

- DEBE haber un mínimo de 3 metros (10 pies) de manguera de riego libre entre la entrada de la limpiadora a presión y cualquier dispositivo, como un igualador de presión o una válvula de retención).
  - El daño a la limpiadora a presión, resultado de la desatención a esta precaución, no será cubierto por la garantía.
5. Conecte la manguera de jardín (D) (no exceder 15 m (50 pies) en la longitud) a la entrada del agua (E). Apriete con la mano.

**ADVERTENCIA** Riesgo de lesiones oculares. El agua rociada podría salpicar o propulsar objetos, lo que puede provocar lesiones graves.

- Cuando utilice este equipo o esté cerca de él, siempre use gafas de seguridad con ventilación indirecta (contra salpicaduras de productos químicos) marcadas para cumplir con ANSI Z87.1.
- NUNCA se ponga gafas de seguridad ni gafas para entornos secos como sustituto de las gafas de seguridad con ventilación indirecta.

6. Abra el grifo, pulse el botón rojo (G) de la pistola rociadora y apriete el gatillo para eliminar el aire y las impurezas del sistema de bombeo.



## Lista de verificación previa al arranque del motor de la bomba

Revise el montaje de la unidad para asegurarse de que haya realizado todas las siguientes acciones.

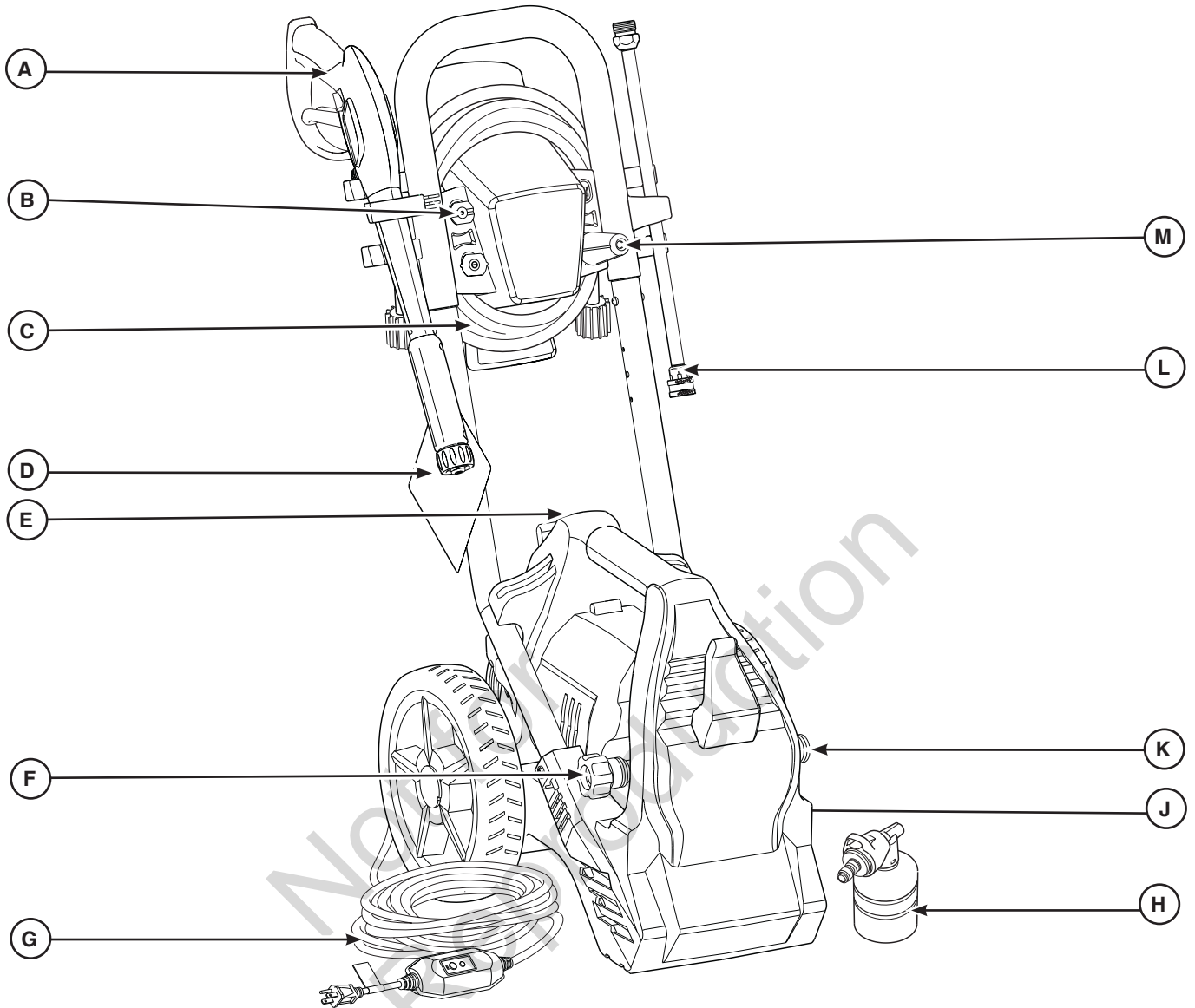
1. Asegúrese de leer *Seguridad del usuario* y *Funcionamiento* antes de usar la hidrolavadora eléctrica.
2. Compruebe que las conexiones de manguera estén correctamente apretadas.
3. Asegúrese de que las mangueras no tengan nudos, cortes ni daños.
4. Coloque un suministro de agua adecuado con el flujo correcto.
5. Enchufe el cable de alimentación eléctrica a un circuito eléctrico dedicado para 120 V CA a 15 A que haya sido instalado conforme a todos los códigos y normativas locales. Compruebe que el circuito no se use para ningún otro suministro eléctrico.



# Características y controles



Lea el manual del usuario y las reglas de seguridad antes de hacer funcionar su hidrolavadora eléctrica. Compare las ilustraciones con la hidrolavadora eléctrica para familiarizarse con la ubicación de los distintos controles y ajustes. Guarde este manual original para consultarlo en el futuro.



- A - Pistola pulverizadora** — Controla la aplicación de agua sobre la superficie por limpiar con un gatillo. Incluye traba de gatillo.
- B - Puntas de rociado** — La punta de rociado con casquillo amarillo y blanca es para diversas aplicaciones de alta presión.
- C - Manguera a alta presión** — Conecte un rojo extremo a la salida de agua a alta presión y el extremo negro la manguera de alta presión a la pistola pulverizadora.
- D - Etiqueta de advertencia** — Identifique los peligros que deben evitarse cuando utiliza la hidrolavadora eléctrica.
- E - Interruptor principal de encendido/apagado** — Presione el extremo superior del activador (I) para encender la hidrolavadora eléctrica. Presione el botón (0) del activador para apagar la limpiadora.
- F - Entrada del suministro de agua** — Conecte el suministro de agua utilizando una manguera para jardín de un máximo de 50 ft (15,24 m).

- G - Cable eléctrico con GFCI** — La hidrolavadora eléctrica y el operador están protegidos por un interruptor de circuito con fallos a tierra.
- H - Punta de rociado espumante con botella de detergente** — Se usa para aplicar detergente apto para uso en lavadoras a presión sobre superficies.
- J - Etiqueta de identificación (debajo de la cubierta)** — Proporciona el modelo y el número de serie de la hidrolavadora eléctrica. En caso de llamar y solicitar ayuda, tenga la etiqueta cerca.
- K - Salida de agua a alta presión** — Conexión de la manguera a alta presión.
- L - Varilla de rociado** — Le permite cambiar entre puntas de rociado distintos.
- M - Punta de rociado turbo** — Hace girar un poderoso chorro de agua de precisión para una limpieza profunda.

# Funcionamiento

## Cómo arrancar la hidrolavadora eléctrica

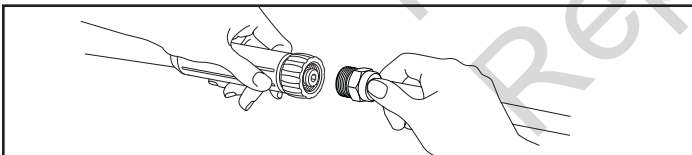
Siga las instrucciones que aparecen a continuación en el orden en el que se muestran. Si tiene problemas con el funcionamiento de la hidrolavadora eléctrica, por favor, llame al número de teléfono de ayuda de la hidrolavadora eléctrica (800) 743-4115.

**⚠ ADVERTENCIA** Riesgo de lesión ocular. El pulverizador podría salpicar o empujar objetos y esto podría causar lesiones graves. Cuando utilice o esté cerca de este dispositivo, colóquese gafas de seguridad con ventilación indirecta (salpicadura química) que cumplan con la disposición ANSI Z87.1. Jamás reemplace las gafas de seguridad o las gafas para tareas secas por gafas de seguridad con ventilación indirecta.

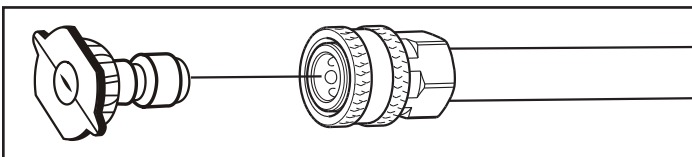
1. Coloque la máquina limpiadora a presión en un área cercana a una suministro de agua exterior capaz de abastecer agua a un volumen mayor de 11.4 litros por minuto (3.0 galones por minuto) en no menos que 1.38 BARS (20 PSI) en el fin de arandela de presión de la manga del jardín.
2. Revise que la manguera de alta presión se encuentre conectada firmemente a la pistola de rociado y a la bomba. Vea *Montaje*.
3. Asegúrese que la unidad esté nivelada.
4. Conecte la manguera de jardín a la entrada del agua. Apriétela con la mano.

**AVISO** NO haga funcionar la bomba si no tiene el suministro conectado y abierto.

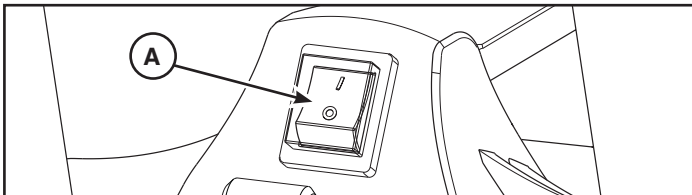
- El daño a la limpiadora a presión, resultado de la desatención a esta precaución, no será cubierto por la garantía.
5. Abra el grifo, pulse el botón rojo de la pistola rociadora y apriete el gatillo para eliminar el aire y las impurezas del sistema de bombeo.
  6. Conecte la varilla de rociado a la pistola rociadora. Apriétela con las manos.



7. Seleccione la puntas de rocío de conexión rápida que usted desee e insértela en el extremo de varilla de rociado. Vea *Como Usar las Puntas de Rocío*.



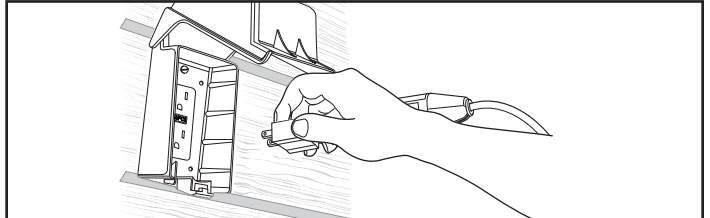
8. Sitúe el interruptor principal de encendido/apagado (A) en la posición de ON (I).



**⚠ ADVERTENCIA** Riesgo de electrocución. El uso de un cable prolongador podría provocar electrocución y quemaduras, y tener como resultado lesiones graves o la muerte.

- NO utilice un cable prolongador con esta hidrolavadora eléctrica. Es posible que la toma eléctrica residencial o el cable prolongador no le brinde protección con interrupción de circuito de fallo de conexión a tierra, crucial para la vida de una persona.

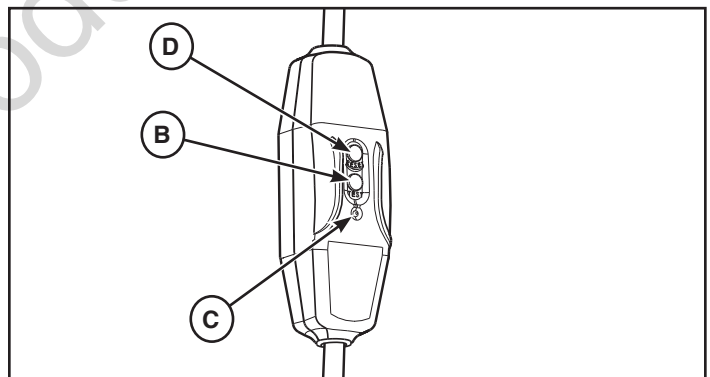
9. Enchufe el cable de alimentación eléctrica a un circuito eléctrico dedicado para 120 V CA a 15 A que haya sido instalado conforme a todos los códigos y normativas locales. El circuito no debe utilizarse para ningún otro suministro eléctrico. La luz de indicación en el GFCI debe estar ENCENDIDA.



**AVISO** La luz del indicador debe estar visible para que la hidrolavadora eléctrica pueda funcionar.

**⚠ ADVERTENCIA** Riesgo de electrocución. Si no se utiliza un interruptor con circuito de fallo de conexión a tierra (GFCI), se podría producir daños materiales, lesiones o incluso la muerte. Si el luz del indicador no se mantiene encendido después de la prueba y el rearme, no utilice al GFCI.

10. Presione el botón TEST (prueba) (B). Se debería apagar la luz del indicador (C).



11. Presione el botón RESET (reiniciar) (D). Se debería encender la luz del indicador (C).

**AVISO** NO use la hidrolavadora eléctrica si falla la prueba mencionada anteriormente.

12. Presione el interruptor principal de encendido/apagado de la hidrolavadora eléctrica y llévelo a la posición de encendido (I).
13. Apunte la pistola hacia una dirección segura, presione el botón de bloqueo del gatillo y apriete el gatillo.

El motor de la hidrolavadora eléctrica arrancará y se detendrá mientras se presiona y se suelta el gatillo de la pistola pulverizadora. Ahora la hidrolavadora eléctrica está lista para ser usada. Más adelante, en esta sección, encontrará las instrucciones de uso de los accesorios provistos.

## Cómo detener la hidrolavadora eléctrica

El motor de la hidrolavadora eléctrica solo funciona cuando está presionado el gatillo. Para detener la hidrolavadora eléctrica y apagar el motor:

1. Suelte el gatillo de la pistola pulverizadora.
2. Presione el interruptor principal de encendido/apagado y llévelo a la posición de apagado (0).

**AVISO** Al soltar el gatillo, se apagará el motor, pero no se cortará el suministro de energía a la unidad.

3. Desconecte el suministro de agua.
4. SIEMPRE apunte la pistola pulverizadora hacia una dirección segura y presione su gatillo para liberar la presión acumulada en la unidad.

**⚠ ADVERTENCIA** El chorro de agua de alta presión que produce esta unidad podría generar cortes en la piel y tejidos subcutáneos, lo cual provocaría lesiones graves o una posible amputación.


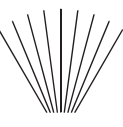

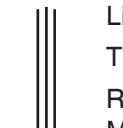
La pistola pulverizadora contiene agua a alta presión incluso cuando el motor está detenido y el suministro de agua desconectado. Esto podría provocar lesiones graves.

- Mientras el sistema esté presurizado, mantenga la manguera de alta presión conectada a la bomba y a la pistola pulverizadora.
- SIEMPRE apunte la pistola pulverizadora en una dirección segura, apriete el gatillo de la pistola para liberar la presión alta cada vez que apague la hidrolavadora eléctrica.

5. Desconecte el enchufe de GFCI.

## Cómo usar las puntas de rociado

La hidrolavadora eléctrica se suministra con tres puntas de rociado. La punta de rociado turbo hace girar un poderoso chorro de agua de precisión para una limpieza profunda. Las puntas de rociado amarilla y blanca se usan para diversas aplicaciones de alta presión. La punta de rociado espumante se usa para aplicar jabón en general.

 <p>Pulverizador espumante de baja presión</p> <p>Use para aplicar detergente</p>	 <p>Enjuague delicado Blanco, 40° Carros / Vans / Camiones / Muebles para exteriores</p> <p>1300 PSI (90 bar) 1.1 GPM (4.1 LPM)</p>
 <p>Enjuague general Amarillo, 15° Revestimientos / Terrazas / Entradas de vehículos / Pisos de garaje</p> <p>2200 PSI (152 bar) 1.0 GPM (3.7 LPM)</p>	 <p>Limpieza intensa Turbo Retiro de pintura / Manchas de aceite / Retiro de óxido</p> <p>900 PSI (6 bar) 1.2 GPM (4.5 LPM)</p>

## Consejos de uso

- Para realizar una limpieza muy efectiva, mantenga la punta de rociado de 8 a 24 in (de 20 a 60 cm) alejada de la superficie de limpieza.
- Si acerca demasiado la punta de rociado, especialmente en el uso a alta presión, podría llegar a dañar la superficie que está limpiando.
- Al limpiar neumáticos, no se acerque a más de 6 in (15 cm).

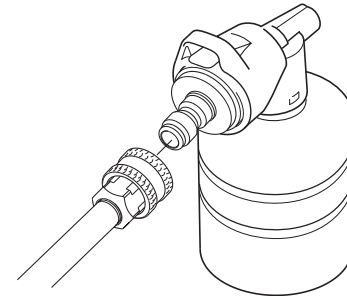
## Cómo aplicar detergente

**⚠ ADVERTENCIA** Peligro de quemaduras químicas. Los productos químicos pueden causar quemaduras que ocasionen la muerte o heridas graves.

- Cuando utilice productos químicos, colóquese gafas de seguridad con ventilación indirecta (salpicadura química) que cumplan con la disposición ANSI Z87.1.
- NO reemplace las gafas de seguridad o las gafas para tareas secas por gafas de seguridad con ventilación indirecta.
- NO utilice líquido cáustico con la hidrolavadora eléctrica.
- SOLO utilice detergentes/jabones seguros para la hidrolavadora eléctrica. Siga todas las instrucciones del fabricante.

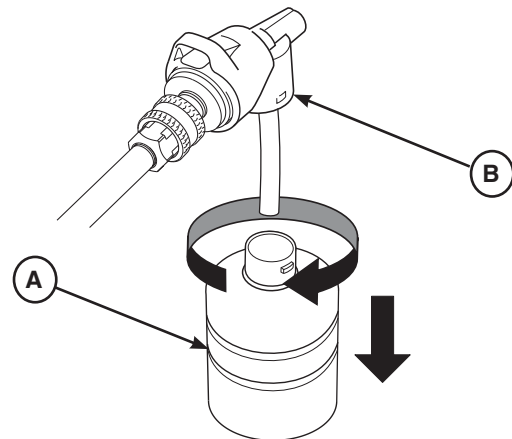
**Para aplicar detergente, siga estos pasos:**

1. Instale la punta de rociado espumante con botella de detergente.



2. Prepare una solución de detergente adecuada para el trabajo que realizará.

3. Gire la botella de detergente (A) en sentido contrario a las agujas del reloj y retírela de la punta de rociado espumante (B).



4. Llene la botella con la solución de detergente.
5. Vuelva a instalar la botella de detergente en la punta de rociado espumante y gírela en el sentido de las agujas del reloj hasta que escuche un clic.
6. Asegúrese de que la manguera para jardín esté conectada a la entrada de agua. Verifique que la manguera a alta presión esté conectada a la pistola pulverizadora y a la bomba. Encienda el agua.

**AVISO** Debe conectar todas las mangueras antes de arrancar la hidrolavadora eléctrica.

7. Arranque la hidrolavadora eléctrica según las indicaciones de *Cómo arrancar la hidrolavadora eléctrica*.
8. Aplique detergente a una superficie seca. Comience en una parte inferior de la zona que limpiará y vaya subiendo de forma amplia y pareja.
9. Deje que el detergente entre en “remojo” de 3 a 5 min antes de lavar y enjuagar. Vuelva a aplicar, según sea necesario, para evitar que la superficie se seque. Para evitar que queden vetas, **NO DEJE** que el detergente se seque en la superficie.

## Enjuagar la hidrolavadora eléctrica

1. Quite la punta rociadora espumante de la varilla.
2. Instale la punta de rociado con casquillo blanca o amarillo.
3. Mantenga la pistola pulverizadora a una distancia segura de la zona que va a limpiar.

**⚠ ADVERTENCIA** Riesgo de rebote. La pistola pulverizadora puede generar un rebote y esto puede hacer que usted se caiga, lo cual podría provocarle la muerte o lesiones graves.

- Utilice la hidrolavadora eléctrica desde una superficie estable.
- Tenga mucho cuidado en caso de que deba utilizar la hidrolavadora eléctrica parado sobre una escalera, andamio o alguna ubicación similar.
- Agarre la pistola pulverizadora con ambas manos cuando utilice los distintos modos de pulverización para evitar lesiones cuando la pistola pulverizadora rebota.

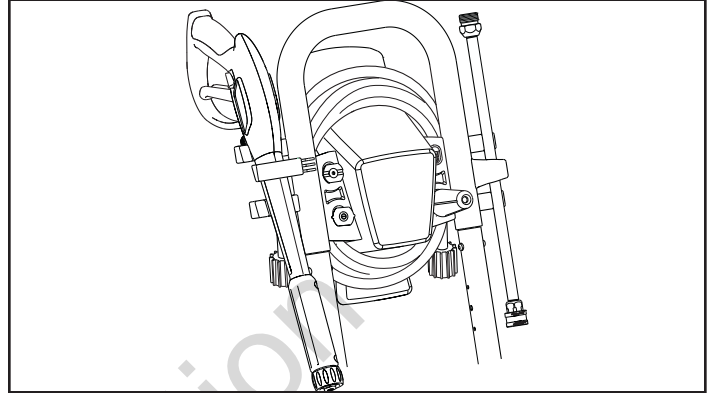
4. Rocíe a alta presión en una zona pequeña y luego compruebe que no haya daños en la superficie. Si no encontró daños, puede continuar con el enjuague.
5. Comience en la parte superior de la zona por enjuagar y baje con movimientos amplios y parejos, al igual que cuando limpió.

## Otros consejos de limpieza

- **NUNCA** descuide la hidrolavadora eléctrica mientras está enchufada a una salida eléctrica y mientras se está suministrando agua al equipo.
- Si la punta de rociado está muy lejos de la superficie que está lavando, la limpieza puede no ser tan efectiva.

## Cómo almacenar los accesorios

La unidad está equipada con áreas para almacenar su manguera de alta presión, pistola rociadora, varilla rociadora y cable de alimentación. Enrolle el cable de alimentación en los soportes en los extremos de la unidad principal. Enrolle la manguera de alta presión y almacénela en el gancho en la parte trasera de la bandeja de accesorios. Guarde la pistola rociadora en las ranuras en el lado izquierdo de la bandeja de accesorios. Coloque a presión la varilla rociadora en las ranuras en el lado derecho de la bandeja de accesorios. Guarde las puntas de rociado en los agujeros en la parte delantera de la bandeja de accesorios. Identifique todos los accesorios con las ilustraciones en la sección *Características y controles*.





# Mantenimiento

## Recomendaciones Generales

Realizar el mantenimiento con frecuencia mejorará el rendimiento y ampliará la vida útil de la hidrolavadora eléctrica.

La garantía en esta hidrolavadora eléctrica no cubre artículos que hayan sido sometidos a abusos o negligencia por parte del operador. Para sacar el máximo provecho de la garantía, el operador debe cumplir con todas las especificaciones aquí indicadas, entre ellas, el almacenamiento correcto de la hidrolavadora eléctrica.

**AVISO** Si tiene preguntas sobre las piezas de repuesto de la hidrolavadora eléctrica, por favor, llame al **(800) 743-4115** para obtener ayuda.

### Antes de cada utilización

1. Limpie los desechos.
2. Verifique que la pantalla de entrada de agua no tenga suciedad y no esté dañada.
3. Verifique que la manguera a alta presión no tenga pérdidas.
4. Verifique el funcionamiento de la pistola pulverizadora.

## Mantenimiento de la hidrolavadora eléctrica

### Limpieza de desechos

A diario, o antes de usarla, limpie los desechos acumulados en la hidrolavadora eléctrica. Revise las ranuras y las entradas de aire de refrigeración adelante, atrás y abajo de la hidrolavadora eléctrica. Estas aberturas deben estar limpias y sin obstrucciones.

Las piezas de la hidrolavadora eléctrica deben mantenerse limpias para reducir el riesgo de sobrecalentamiento e incendio de desechos acumulados.

- Use un trapo húmedo para limpiar las superficies exteriores.

**AVISO** Si maneja inadecuadamente la hidrolavadora eléctrica, podría dañarla y acortar su vida útil.

- NO inserte objetos a través de las ranuras de enfriamiento.

### Revise y limpie el filtro de entrada de agua

Examine el filtro en la entrada de agua de la unidad. Límpielo si está tapado o reemplácelo si está dañado.

### Revisión de la manguera a alta presión

La manguera a alta presión puede tener pérdidas a causa del desgaste, los nudos y el mal uso. Siempre revise la manguera antes de usarla. Compruebe que no haya cortes, fugas, abrasiones o bultos en la cubierta, y daños o movimientos de acopladores. Si ocurre algo de lo mencionado anteriormente, reemplace la manguera inmediatamente.

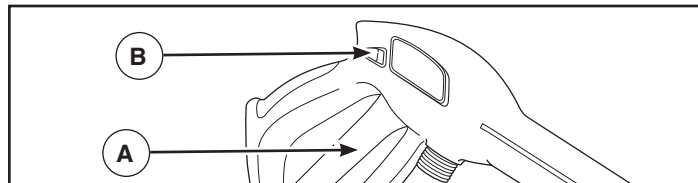


**ADVERTENCIA** El chorro de agua de alta presión que produce esta unidad podría generar cortes en la piel y tejidos subcutáneos, lo cual provocaría lesiones graves o una posible amputación.

- NUNCA repare la manguera a alta presión. Cámbiela.
- La potencia de la manguera reemplazada DEBE ser igual o superior a la presión máxima de la unidad.

## Revisión de la pistola pulverizadora

Revise la conexión de la manguera a la pistola pulverizadora y asegúrese de que esté firme. Pruebe el gatillo (A). Para ello, presione el botón de bloqueo del gatillo (B) y asegúrese de que el gatillo vuelva a su posición, como si fuera un resorte, al soltarlo. No debería poder presionar el gatillo sin presionar antes el botón de bloqueo del gatillo. Si estas pruebas fallan, cambie inmediatamente la pistola pulverizadora.



## Mantenimiento de la punta de rociado

Una presión excesiva en la bomba puede provocar una sensación de pulsación al apretar el gatillo de la pistola pulverizadora. El principal motivo de que haya presión excesiva en la bomba es que la punta de rociado esté tapada o limitada por materiales externos como la tierra. Una punta de rociado tapada podría hacer que la bomba se encienda y se apague, o que no se encienda, incluso cuando haya algo de flujo.

1. Presione el interruptor principal de encendido/apagado y llévelo a la posición de apagado (0). Quite el enchufe del cable de alimentación de la salida eléctrica.
2. Desconecte el suministro de agua de la hidrolavadora eléctrica.
3. SIEMPRE apunte la pistola pulverizadora hacia una dirección segura. Presione el botón de bloqueo del gatillo y apriete el gatillo de la pistola pulverizadora para liberar el agua a alta presión retenida.



**ADVERTENCIA** El chorro de agua de alta presión que produce esta unidad podría generar cortes en la piel y tejidos subcutáneos, lo cual provocaría lesiones graves o una posible amputación.

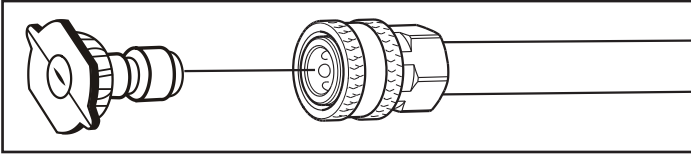
La pistola pulverizadora contiene agua a alta presión incluso cuando el motor está detenido y el suministro de agua desconectado. Esto podría provocar lesiones graves.

- Mientras el sistema esté presurizado, mantenga la manguera de alta presión conectada a la bomba y a la pistola pulverizadora.
- SIEMPRE apunte la pistola pulverizadora en una dirección segura, apriete el gatillo de la pistola para liberar la presión alta cada vez que apague la hidrolavadora eléctrica.

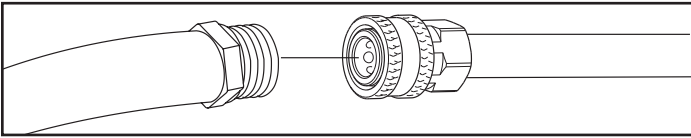
4. Remueva la punta de rociado del extremo de la varilla de rociado.



5. Utilice la herramienta de limpieza de la punta de rociado que se proporciona o un clip para papel para eliminar el material extraño que obstruya alguna de las puntas de rociado.



6. Usando una manguera de jardín, remueva cualquier desecho adicional, poniendo agua en la varilla de plástico. Haga ésto de 30 a 60 segundos.



7. Instale de punta de rociado en la varilla de rociado.  
8. Conecte de varilla de plástico a la pistola rociadora.  
9. Asegúrese de que la manguera para jardín esté conectada a la entrada de agua. Verifique que la manguera a alta presión esté conectada a la pistola pulverizadora y a la bomba. Encienda el agua.  
10. Enchufe el cable de alimentación en una salida eléctrica, presione el interruptor principal de encendido/apagado y llévelo a la posición de encendido (I).  
11. Haga funcionar la hidrolavadora eléctrica con cada una de las puntas de rocío de conexiones rápidas que viene con el hidrolavadora eléctrica.

## Mantenimiento de la bomba y del motor

La bomba y el motor de la hidrolavadora eléctrica no requieren mantenimiento. Ambos conjuntos están prelubricados y sellados, y no es necesario volver a lubricarlos.

## Después de cada utilización

El agua no debería permanecer durante mucho tiempo en la unidad. Los sedimentos o los minerales pueden depositarse en las piezas de la bomba y “congelar” su funcionamiento.

Después de cada uso, siga estos procedimientos:

1. Vacíe la botella de detergente (si está usada) retirándola de la punta de rociado espumante y volcando toda la solución restante.
2. Enjuague la botella de detergente con agua limpia y fresca y vuelva a instalarla en la boquilla rociadora espumante.
3. Ponga en funcionamiento la hidrolavadora eléctrica con la punta de rociado espumante. Enjuague durante uno o dos minutos.
4. Presione el interruptor principal de encendido/apagado y llévelo a la posición de apagado (0).
5. Cierre la alimentación de agua, apunte con la pistola rociadora hacia una dirección segura, pulse el botón rojo y apriete el gatillo para descargar la presión. Deje enfriar el motor.
6. Desconecte manga del fusil del rocío y salida alta de presión en la bomba. Desagüe agua de la manga, del pistola rociadora, y de la varilla de rociado. Use un harapo para quitar la manga.
7. Vacíe el agua dentro de la bomba volteando la unidad hacia adelante (con la entrada de agua hacia abajo) por dos minutos. Incline hacia atrás (con la salida de alta presión hacia abajo) por dos minutos más.
8. Enrolle la manguera de alta presión y almacénela en el gancho en la parte trasera de la bandeja de accesorios.
9. Enrolle el cable de alimentación en los soportes.
10. Guarde la pistola rociadora y la varilla rociadora en las ranuras en la bandeja de accesorios. Guarde las puntas de rociado en los agujeros en la bandeja de accesorios.
11. Almacene la unidad en una área limpia y seca.
12. Si planea almacenar la unidad por más de 30 días, vea la sección *Almacenamiento en invierno durante largos períodos*.

## Almacenamiento en invierno o durante largos períodos

Siga los pasos 1-10 en *Después de cada utilización*.

**AVISO** El agua que queda en la bomba podría congelarse y dañar la bomba en forma permanente. Los daños producidos por congelación no están cubiertos por la garantía.

### Protección de la bomba

Para proteger la bomba de daños provocados por depósitos de minerales o congelamiento, utilice la PumpSaver, modelo 6039, para tratar la bomba. Esto evita daños por congelamiento y lubrica el pistón y los cierres.

**AVISO** La PumpSaver está disponible como un accesorio opcional. No viene incluida con la hidrolavadora eléctrica. Para comprar la PumpSaver, póngase en contacto con el centro de mantenimiento autorizado más cercano.

**AVISO** Debe proteger la unidad de temperaturas extremadamente bajas.

- Si no lo hace, le causará un daño permanente a la bomba y pistola y la unidad quedará inservible.
- La garantía no cubre daños por congelamiento.

Para utilizar la PumpSaver, asegúrese de que la hidrolavadora eléctrica esté apagada y que las mangueras de entrada y salida estén desconectadas. Lea y siga todas las instrucciones y advertencias que aparecen en la caja de la PumpSaver.

## Procedimientos para el almacenamiento final

1. Enrolle la manguera de alta presión y almacénela en el gancho en la parte trasera de la bandeja de accesorios.
2. Enrolle el cable de alimentación en los soportes.
3. Guarde la pistola rociadora y la varilla rociadora en las ranuras en la bandeja de accesorios. Guarde las puntas de rociado en los agujeros en la bandeja de accesorios.
4. Guarde la unidad en un área limpia y seca que esté protegida contra las bajas temperaturas.
5. Cubra la unidad con una manta protectora apropiada que no retenga la humedad.

Not for  
Reproduction

## Resolución de problemas

Problema	Causa	Solución
<b>La bomba tiene los siguientes problemas: no genera presión, presión errática, vibración, pérdida de presión, bajo volumen de agua.</b>	<ol style="list-style-type: none"> <li>1. La entrada de agua está bloqueada.</li> <li>2. Suministro de agua inadecuado.</li> <li>3. La manguera para jardín está enroscada o tiene pérdidas.</li> <li>4. Revise la pantalla de entrada de agua.</li> <li>5. El suministro de agua supera los 100 °F (38 °C).</li> <li>6. La manguera a alta presión está obstruida o pierde.</li> <li>7. La punta de rociado está tapada.</li> </ol>	<ol style="list-style-type: none"> <li>1. Libere la entrada.</li> <li>2. Proporcione un flujo de agua adecuado.</li> <li>3. Estire la manguera para jardín o reemplácela si pierde.</li> <li>4. Revise y limpie la pantalla de entrada de agua.</li> <li>5. Proporcione un suministro de agua más fresca.</li> <li>6. Libere las obstrucciones en la manguera a alta presión o reemplace la manguera.</li> <li>7. Limpie la punta de rociado.</li> </ol>
<b>La unidad no se enciende cuando se aprieta el gatillo de la pistola pulverizadora.</b>	<ol style="list-style-type: none"> <li>1. El suministro de agua no está encendido.</li> <li>2. La unidad no está encendida.</li> <li>3. La manguera para jardín es demasiado larga.</li> <li>4. Fusible fundido o disyuntor activado.</li> </ol>	<ol style="list-style-type: none"> <li>1. Encienda el suministro de agua.</li> <li>2. Coloque el interruptor principal de encendido/apagado en la posición de encendido (I). Reinicie el GFCI.</li> <li>3. Utilice una manguera para jardín de 50 ft (15,24 m) como máximo.</li> <li>4. a.) Compruebe en el cuadro de fusibles si hay algún fusible fundido y reemplace según sea necesario o restablezca el disyuntor. No utilice un fusible o disyuntor de mayor capacidad que la especificada para el circuito derivado en particular. b.) Desconecte los demás aparatos eléctricos y apague las luces en el circuito o haga funcionar la hidrolavadora eléctrica en su propio circuito dedicado. c.) Ejecutar la hidrolavadora eléctrica con la punta de rocío turbo durante 5 minutos. Es posible que sea necesario aflojar el motor.</li> </ol>
<b>El detergente no se mezcla con el pulverizador.</b>	<ol style="list-style-type: none"> <li>1. Está usando la puntas de rociado de alta presión.</li> </ol>	<ol style="list-style-type: none"> <li>1. Instale la punta rociadora espumante.</li> </ol>
<b>Fugas en las conexiones de las mangueras.</b>	<ol style="list-style-type: none"> <li>1. La manguera de jardín está floja en la entrada de agua.</li> <li>2. Las conexiones de la manguera de alta presión están flojas.</li> <li>3. La junta tórica está dañada.</li> </ol>	<ol style="list-style-type: none"> <li>1. Ajuste a mano la manguera de jardín a la entrada de agua.</li> <li>2. Retire la manguera por completo y vuelva a instalarla ajustándola a mano.</li> <li>3. Reemplazar la junta tórica.</li> </ol>

Para cualquier otro problema, consulte con un concesionario autorizado de Briggs & Stratton.

## NORMAS DE GARANTÍA DE BRIGGS & STRATTON

### GARANTÍA LIMITADA

Briggs & Stratton se compromete a que, durante el período de garantía especificado a continuación, reparará o sustituirá, de manera gratuita, cualquier pieza con defectos de material o fabricación, o de ambos. El comprador deberá correr con los gastos de transporte del producto que envíe para reparación o reemplazo al amparo de esta garantía. Esta garantía tiene vigencia y está sujeta a las condiciones que se establecen más adelante. Para servicio de garantía, contacto con Atención al Cliente de Briggs & Stratton llamando al (800) 743-4115 o por Internet en BRIGGSandSTRATTON.COM..

**No existe otra garantía expresa. Las garantías implícitas, inclusive aquellas de comerciabilidad y de idoneidad para un propósito en particular, se limitan al período de garantía expresado abajo, o hasta los límites permitidos por la ley. La responsabilidad por daños fortuitos o indirectos está excluida en tanto lo permita la ley.** Algunos países o estados no permiten limitar la duración de una garantía implícita ni excluir o limitar los daños secundarios y derivados. Por tanto, es posible que las limitaciones y exclusiones mencionadas no sean aplicables en su caso. Esta garantía le otorga derechos legales específicos, y también podría tener otros que varían según el estado o el país.\*\*

### PERÍODO DE GARANTÍA

Uso particular	Uso comercial
12 meses	ninguno

\*\* En Australia, nuestros productos están cubiertos por garantías ineludibles de acuerdo con la legislación sobre consumo de este país. Tiene derecho a un recambio o devolución en caso de avería grave y a una compensación por las posibles pérdidas o daños razonables previsibles. Asimismo, si la avería no es grave, tiene derecho a que se reparen o reemplacen los productos si no tienen una calidad aceptable. Para servicio de garantía, localice al distribuidor de servicio autorizado más cercano con nuestro mapa en BRIGGSandSTRATTON.COM, llame al 1300 274 447, o bien, envíe un correo electrónico a salesenquires@briggsandstratton.com.au, o escriba a Briggs & Stratton Australia Pty Ltd, 1 Moorebank Avenue, NSW, Australia, 2170.

El período de garantía comienza en la fecha de compra del primer consumidor o usuario comercial final. «Uso particular» significa uso doméstico residencial personal por un consumidor minorista. «Uso comercial» significa los demás usos, lo que incluye el uso para propósitos comerciales, generar ingresos o alquiler. Una vez que el producto se haya usado para fines comerciales, de ahí en adelante se considerará uso comercial a efectos de esta garantía.

Guarde el recibo comprobante de compra. Si no se proporciona una prueba de la fecha de compra inicial en el momento de solicitar servicio de garantía, se utilizará la fecha de fabricación del producto para determinar el período de garantía. No es necesario el registro del producto para obtener el servicio de garantía de los productos Briggs & Stratton.

### ACERCA DE LA GARANTÍA

La mayor parte de las reparaciones bajo garantía se atienden de manera rutinaria, pero algunas veces las solicitudes de reparaciones bajo garantía podrían no ser apropiadas. Esta garantía SÓLO cubre defectos en materiales y mano de obra. No cubre los daños ocasionados por un uso incorrecto o un mal uso, un mantenimiento o unas reparaciones inadecuadas, el desgaste y la rotura propios del uso, o bien el uso de un combustible en mal estado o no aprobado.

**Uso no adecuado y mal uso:** el uso correcto y para el que se ha diseñado este equipo se describe en el manual del usuario. Si el producto no se usa de la manera que se describe en el manual del usuario o si el producto se usa después de que haya resultado dañado, quedará anulada la garantía. La garantía queda anulada si se ha borrado el número de serie del producto o el producto ha sido modificado de alguna manera, o si el producto presenta indicios de haber sido usado incorrectamente, por ejemplo, daños producidos por un impacto o daños producidos por corrosión química/agua.

**Mantenimiento o reparaciones inadecuadas:** el producto debe someterse a labores de mantenimiento de acuerdo con los procedimientos y plazos establecidos en el manual del usuario, y para el mantenimiento y las reparaciones se deben utilizar piezas Briggs & Stratton originales o equivalentes. La garantía no cubre los daños ocasionados por la falta de mantenimiento o el uso de piezas no originales.

**Desgaste normal:** al igual que otros dispositivos mecánicos, el producto está sujeto a desgaste incluso si se realiza un mantenimiento correcto. Esta garantía no cubrirá la reparación cuando el uso normal haya agotado la vida útil de una pieza o del aparato. Los accesorios y elementos de mantenimiento como filtros, correas, hojas cortantes y pastillas de freno (excepto las pastillas de freno de los motores) no están cubiertos por la garantía por sus propias características, a no ser que la causa sea un defecto del material o de fabricación.

**Combustible en mal estado o no aprobado:** para que este producto funcione correctamente, se necesita combustible fresco que cumpla los criterios especificados en el manual del usuario. Los daños al motor o al equipo causados por combustible en mal estado o por el uso de combustibles (como, por ejemplo, las mezclas de etanol E15 o E85) no están cubiertos por la garantía.

**Otras exclusiones:** esta garantía excluye cualquier daño provocado por accidente, uso incorrecto, modificaciones, alteraciones, mantenimiento incorrecto, congelación o deterioro producido por productos químicos. También excluye cualquier complemento o accesorio que no se incluyera en el paquete original del producto. No existe ninguna cobertura de garantía para equipos que se usen para generar energía principal en lugar de energía de uso ni para equipos que se usen en aplicaciones de soporte vital. Esta garantía no incluye equipos o motores usados, reacondicionados, de segunda mano o de demostración. Esta garantía excluye los fallos debidos a hechos fortuitos y a otros acontecimientos de fuerza mayor que escapen al control del fabricante.

80018419\_ES Rev A

Not for  
Reproduction





# Hidrolavadora eléctrica

## Especificaciones del producto

Presión máxima .....	2200 PSI (152 BAR)* @ 1,0 GPM (3,8 liters/min)
Caudal máxima.....	1,2 GPM (4,5 liters/min)* @ 900 PSI (62 BAR)
Mezcla de detergente.....	Ver las instrucciones de MFR
Temperatura del suministro de agua .....	5°C (41°F) - 38°C (100°F)
Motor .....	De tipo universal (cepillo)
Rango de voltaje.....	120 VCA
Corriente .....	14,5 A

Not for  
Reproduction

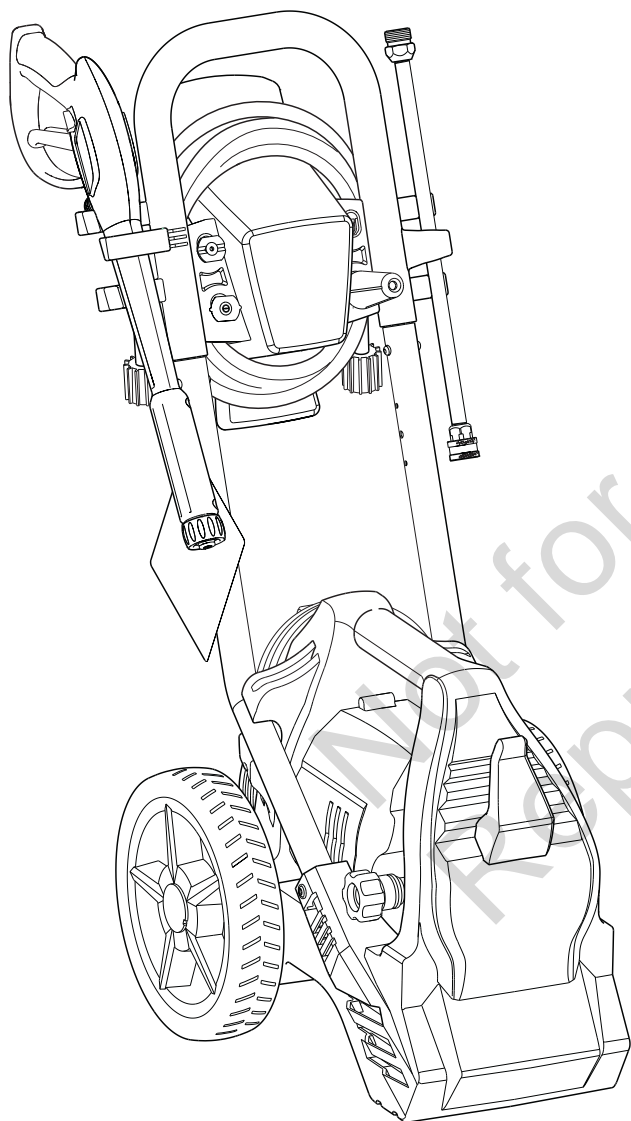
\* Esta limpiadora a presión está clasificada conforme a la norma PW101-2010 (Comprobación y Clasificación de Rendimiento de Limpiadoras a Presión) de la Asociación de Fabricantes de Limpiadoras a Presión (PWMA).

**Briggs & Stratton Corporation**  
P.O. Box 702  
Milwaukee, Wisconsin, 53201-0702 EE. UU.



# Nettoyeur à haute pression électrique

## MANUEL D'UTILISATION



Ce nettoyeur à haute pression est évalué conformément à la norme PW101-2010 (essai et évaluation de la performance des nettoyeurs à haute pression) de l'Association des fabricants de nettoyeurs à haute pression (PWMA)

**BRIGGS & STRATTON CORPORATION  
MILWAUKEE, WISCONSIN, ÉTATS-UNIS**

**Merci** d'avoir acheté ce nettoyeur à haute pression électrique de qualité Briggs & Stratton®. Nous sommes heureux que vous fassiez confiance à la marque Briggs & Stratton. Si vous respectez les instructions d'utilisation et d'entretien de ce manuel, vous serez en mesure de profiter d'un service fiable de votre nettoyeur à haute pression électrique de Briggs & Stratton durant de nombreuses années.

**Ce manuel contient** des renseignements sur la sécurité pour vous informer des dangers et des risques associés aux nettoyeurs à haute pression électriques ainsi que de la façon de les éviter. Comme Briggs & Stratton ne connaît pas nécessairement tous les contextes dans lesquels ce nettoyeur à haute pression électrique peut être utilisé, il est important de lire et de bien comprendre ces instructions avant de tenter de démarrer ou d'utiliser cet équipement. **Conserver ces instructions d'origine pour vous y reporter dans le futur.**

**Ce nettoyeur à haute pression électrique exige un assemblage final avant utilisation.** Consultez les directives sur les procédures d'assemblage finales de la section *Assemblage* de ce manuel. Suivre complètement les directives.

### Comment nous joindre

Vous n'aurez jamais à chercher bien loin pour trouver un centre de soutien et de service Briggs & Stratton pour votre nettoyeur à haute pression électrique. Il y a plus de 30 000 concessionnaires agréés Briggs & Stratton qui fournissent des services de qualité partout dans le monde. Vous pouvez aussi téléphoner au Service à la clientèle de Briggs & Stratton au **(800) 743-4115** ou communiquer avec ce service par Internet à l'adresse [BRIGGSandSTRATTON.COM](http://BRIGGSandSTRATTON.COM).

### Nettoyeur à haute pression électrique

Numéro de modèle \_\_\_\_\_

Révision \_\_\_\_\_

Numéro de série \_\_\_\_\_

**Date d'achat** \_\_\_\_\_

### Enregistrer votre produit

Pour assurer que la garantie s'applique complètement et dans les meilleurs délais, enregistrer votre produit en ligne au [www.onlineproductregistration.com](http://www.onlineproductregistration.com).

### Table des matières

Sécurité de l'utilisateur .....	3
Assemblage .....	6
Caractéristiques et commandes .....	8
Utilisation .....	9
Entretien .....	12
Entreposage .....	13
Dépannage .....	14
Garantie .....	15
Fiche technique .....	18

# Sécurité de l'utilisateur

## CONSERVEZ CES DIRECTIVES

### Description de l'équipement



**AVERTISSEMENT** L'omission de lire et de se conformer au manuel de l'utilisateur et à toutes les directives d'utilisation avant d'utiliser le produit peut entraîner la mort ou des blessures graves.

- Lisez ce manuel attentivement et familiarisez-vous avec votre nettoyeur à haute pression électrique. Apprenez ses applications, ses limitations ainsi que tous les risques impliqués.

Ce nettoyeur à haute pression fonctionne à un maximum de 152 bar (2 200 lb/po<sup>2</sup>) pour sur jaune et un débit allant jusqu'à 4,5 l/min (1,2 gallon par minute) embout de pulvérisation turbo.

Nous nous sommes efforcés de nous assurer que les informations contenues dans ce manuel sont exactes et actualisées. Toutefois, nous nous réservons le droit de changer, de modifier ou même d'améliorer le produit et ce document à tout moment sans préavis de notre part.

Cet appareil ISM satisfait à la norme canadienne ICES-001.

### Protection par un disjoncteur de fuite de terre

Ce nettoyeur à haute pression électrique est pourvu d'un disjoncteur de fuite de terre intégré à la fiche électrique du cordon d'alimentation. Ce dispositif offre une protection additionnelle contre les risques d'électrocution. Si un remplacement de la fiche électrique ou du cordon est requis, n'utilisez rien d'autre que des pièces de rechange identiques, munies d'un disjoncteur de fuite de terre.

### Arrêt automatique

Le nettoyeur à haute pression électrique est muni d'un capteur qui détecte l'arrêt du jet d'eau lorsque la détente du pistolet de pulvérisation est relâchée ou verrouillée. Le capteur provoque l'arrêt du moteur du moment que la détente du pistolet de pulvérisation est relâchée ou verrouillée.

Si le moteur continue de tourner lorsque la détente du pistolet de pulvérisation est relâchée ou verrouillée, N'UTILISEZ PAS LA MACHINE. Veuillez téléphoner au service de dépannage du nettoyeur à haute pression au **(800) 743-4115** pour obtenir de l'aide.

**AVIS** Le nettoyeur à haute pression électrique est pourvu d'un interrupteur de mise en marche (ON/OFF). Afin de prévenir tout dommage, l'interrupteur devrait toujours être placé dans la position OFF (0) lorsque le nettoyeur à haute pression électrique n'est pas utilisé.

### Surcharge du moteur

Le moteur électrique de ce nettoyeur à haute pression électrique est muni d'un dispositif de protection contre la surcharge (thermostat). Ce dispositif arrête automatiquement le moteur s'il surchauffe ou prélève une intensité de courant excessive.

Si le dispositif de protection contre la surcharge se déclenche, coupez l'alimentation en plaçant l'interrupteur d'alimentation principal ON/OFF à la position OFF (0). Laissez l'appareil refroidir durant 30 minutes. Puis, placez l'interrupteur d'alimentation principal ON/OFF à la position ON (I) pour reprendre l'opération.

## Informations importantes liées à la sécurité

Veillez lire et vous assurer de comprendre le manuel en entier avant de tenter d'assembler, d'utiliser ou de faire l'entretien de l'appareil. Veuillez suivre les directives d'entretien indiquées dans ce manuel. Si vous avez des questions au sujet de l'appareil, veuillez appeler le Service à la clientèle au **(800) 743-4115**, de 8 h à 17 h (HNC), du lundi au vendredi.

### Renseignements et symboles de sécurité



Lire le manuel



Décharge électrique



Incendie



Surface glissante



Chute



Injection de liquide



Projectile



Objets volants



Brûlure chimique

⚠ Le symbole d'alerte de sécurité indique un risque de blessure corporelle possible. Un mot-indicateur (DANGER, AVERTISSEMENT ou MISE EN GARDE) est utilisé avec le symbole d'alerte pour indiquer la probabilité ou la gravité du danger. Un symbole de danger peut être utilisé pour représenter le type de danger. **AVIS** indique des informations considérées importantes, mais non liées aux dangers.

⚠ **DANGER** indique un danger qui, si non évité, *provoquera* la mort ou des blessures graves.

⚠ **AVERTISSEMENT** indique un danger qui, si non évité, *pourrait* provoquer la mort ou des blessures graves.

⚠ **ATTENTION** indique un danger qui, si non évité, *pourrait* causer une blessure mineure ou modérée.

**AVIS** indique des informations considérées importantes, mais non liées aux dangers.

**⚠ AVERTISSEMENT** Risque d'électrocution.



L'utilisation d'une rallonge peut causer une décharge électrique et des brûlures pouvant entraîner la mort ou des blessures graves.

- N'utilisez PAS de rallonge avec ce nettoyeur à haute pression électrique. Les prises du circuit électrique de votre maison ou une rallonge peuvent ne pas fournir une protection de coupure de circuit par une mise à la terre qui peut sauver la vie.

**⚠ AVERTISSEMENT** Risque d'électrocution.



Le contact avec les deux conducteurs d'alimentation simultanément peut provoquer une décharge électrique ou une brûlure entraînant des blessures graves voire la mort.

- Branchez uniquement dans une prise ayant une mise à la terre adéquate. Ne retirez PAS la broche de la mise à la terre de la fiche.
- Inspectez le cordon avant chaque utilisation, N'utilisez PAS si le cordon est endommagé.
- Ce produit est muni d'un disjoncteur de fuite de terre intégré dans la fiche du cordon d'alimentation. Si le remplacement de la fiche ou du cordon est nécessaire, veuillez utiliser des pièces de rechange identiques.
- Gardez tous les branchements secs et hors du sol.
- NE touchez PAS la fiche avec les mains mouillées.
- N'acheminez PAS le cordon d'alimentation par les portes, les fenêtres, les trous dans les plafonds, les murs ou les planchers.
- NE marchez PAS sur le cordon d'alimentation.
- NE conduisez pas, ne placez pas et ne tirez pas des objets sur le cordon d'alimentation.
- NE vaporisez PAS près d'une source d'alimentation.

**⚠ AVERTISSEMENT** L'utilisation du nettoyeur à haute



pression électrique peut laisser des flaques d'eau et rendre les surfaces glissantes.

- Risque d'effet de recul. Le pistolet de pulvérisation peut créer un effet de recul susceptible de vous faire tomber et d'entraîner des blessures graves ou la mort.
- Utilisez le nettoyeur à haute pression électrique à partir d'une surface stable.
  - Ne vous étirez pas et ne vous tenez pas debout sur une surface instable. Gardez les pieds solidement appuyés et en équilibre en tout temps.
  - La surface de nettoyage devrait comporter une pente et un drain adéquats pour diminuer les risques de chute provoqués par des surfaces glissantes.
  - Soyez très prudent si vous devez utiliser le nettoyeur à haute pression électrique lorsque vous êtes dans une échelle, un échafaudage ou un autre emplacement similaire.
  - Lorsque vous utilisez un jet à haute pression, saisissez fermement le pistolet de pulvérisation avec les deux mains afin d'éviter les risques de blessures entraînées par les effets de recul.

**⚠ AVERTISSEMENT** Risque de lésion oculaire ou




corporelle. Le jet peut rejaillir sur vous, propulser des objets ou causer des blessures internes entraînant des

blessures graves.


- Portez toujours des lunettes de protection avec aération indirecte (éclaboussures de produits chimiques) conformes à la norme ANSI Z87.1 lorsque vous utilisez ou que vous êtes à proximité de cet équipement. Ne remplacez JAMAIS les lunettes de protection avec aération indirecte par des lunettes de protection ordinaires ou pour condition sèche.
- Apprenez à arrêter le nettoyeur à haute pression et à libérer la pression rapidement. Maîtrisez bien les commandes.
- NE laissez PAS les ENFANTS utiliser le nettoyeur à haute pression électrique.
- Assurez-vous qu'il n'y a pas d'autre personne présente dans la zone de travail.
- Inspectez le boyau à haute pression avant chaque utilisation. NE réparez JAMAIS le boyau à haute pression; remplacez-le.
- NE réparez PAS les raccords non étanches à l'aide de scellant; remplacez les joints toriques et joints d'étanchéité.
- Gardez toujours le boyau raccordé au nettoyeur à haute pression électrique lorsque le système est sous pression.
- Chaque fois que vous éteignez le nettoyeur à haute pression électrique, dirigez TOUJOURS le pistolet vers un endroit sécuritaire lorsque le système est sous pression et appuyez sur la détente du pistolet de pulvérisation pour en libérer la haute pression.
- NE dirigez PAS le pistolet vers des personnes ou des animaux.
- NE buvez PAS à même les accessoires reliés au boyau.
- NE bloquez PAS le pistolet de pulvérisation dans la position ouverte.
- NE laissez PAS le pistolet de pulvérisation sans surveillance lorsque le nettoyeur à haute pression électrique est en position de marche (I).
- N'utilisez PAS un pistolet de pulvérisation qui n'est pas muni d'un verrou de la détente ou d'un pontet installé et en ordre de marche.
- Assurez-vous toujours que le pistolet de pulvérisation et les accessoires sont bien fixés.
- Soyez vigilant, regardez toujours ce que vous faites.
- NE faites PAS fonctionner l'appareil lorsque vous êtes fatigué ou sous l'influence de l'alcool ou de médicaments.
- Une supervision étroite est requise lorsque ce produit est utilisé près des enfants.




 **AVERTISSEMENT** Le jet d'eau à haute pression produit par cet appareil pourrait couper la peau et ses tissus sous-jacents, entraînant de graves lésions et pouvant conduire à une amputation.

Le pistolet de pulvérisation emprisonne une pression d'eau élevée, même lorsque le moteur est arrêté et que l'arrivée d'eau est débranchée, ce qui peut entraîner des blessures graves.

- NE dirigez JAMAIS le pistolet de pulvérisation en direction des gens, des animaux ou des plantes.
- Dirigez TOUJOURS le pistolet de pulvérisation dans une direction sécuritaire, serrez la gâchette du pistolet de pulvérisation pour relâcher la haute pression à chaque fois que vous arrêtez le nettoyeur à haute pression.


 **AVERTISSEMENT** Risque d'incendie. La vaporisation de liquides inflammables peut provoquer des blessures graves, voire la mort.

- NE vaporisez PAS de liquides inflammables.

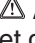
 **AVERTISSEMENT** Risque d'incendie. La surchauffe du cordon peut provoquer des blessures graves, voire la mort.

- Déroulez le cordon en entier avant l'utilisation.
- Ne recouvrez PAS le cordon avec un matériel quelconque.

 **AVERTISSEMENT** Danger de brûlures chimiques.

 Les produits chimiques peuvent causer des brûlures risquant d'entraîner la mort ou des blessures graves.

- Portez toujours des lunettes de protection avec aération indirecte (éclaboussures de produits chimiques) conformes à la norme ANSI Z87.1 lorsque vous utilisez des produits chimiques.
- N'utilisez PAS de lunettes de sécurité ou de lunettes de sécurité pour condition sèche au lieu de lunettes de sécurité à aération indirecte.
- N'utilisez PAS de solution caustique avec le nettoyeur à haute pression électrique.
- N'UTILISEZ QUE des détergents/savons qui ne risquent pas d'endommager le nettoyeur à haute pression. Suivez toutes les directives des fabricants.

 **AVERTISSEMENT** Ce produit contient du plomb et des composés de plomb, connus dans l'État de la Californie pour causer des malformations congénitales ou les dommages à l'appareil reproducteur. Nettoyez-vous les mains après la manipulation de ce produit. Cancer et effets nocifs sur la reproduction - [www.P65Warnings.ca.gov](http://www.P65Warnings.ca.gov)

**AVIS** Le jet à haute pression risque d'endommager les articles fragiles, notamment le verre.

- NE dirigez PAS le pistolet de pulvérisation vers les vitres lorsque la embout de pulvérisation turbo est utilisé.
- NE dirigez JAMAIS le pistolet vers des plantes.

**AVIS** Vous devez protéger votre appareil contre le gel.

- Omettre de le protéger endommagera de façon permanente votre pompe et rendra votre appareil inopérant.
- Les dommages causés par le gel ne sont pas couverts par la garantie.

**AVIS** Le traitement inadéquat du nettoyeur à haute pression peut l'endommager et réduire sa durée de vie.

- Si vous avez des questions sur l'usage prévu, demandez à votre concessionnaire ou prenez contact avec le service de réparation agréé.
- N'opérez PAS un appareil dont les pièces sont brisées ou manquantes, ni sans les protections ou les revêtements.
- NE contournez PAS un dispositif de sécurité sur le nettoyeur à haute pression électrique.
- N'altérez PAS d'aucune façon le nettoyeur à haute pression.
- Avant de démarrer le nettoyeur à haute pression électrique par temps froid, vérifiez toutes les pièces d'équipement afin de vous assurer qu'aucune glace ne s'est formée.
- NE déplacez PAS le nettoyeur à haute pression électrique en tirant sur les tuyaux. Déplacez l'appareil en utilisant la poignée de transport fournie.
- Utilisez UNIQUEMENT les accessoires de marque conçus pour une utilisation avec ce produit.

## Assemblage



Lisez le manuel de l'opérateur en entier avant de tenter d'assembler ou d'utiliser votre nouveau nettoyeur à haute pression électrique.

Votre nettoyeur à haute pression électrique exige un peu d'assemblage, mais il sera rapidement prêt à être utilisé. Si vous avez des problèmes avec l'assemblage de votre nettoyeur à haute pression électrique, veuillez appeler la ligne d'assistance du nettoyeur à haute pression électrique en composant le **(800) 743-4115**. Si vous appelez pour obtenir de l'aide, veuillez avoir sous la main les numéros de modèle, de révision et de série indiqués sur l'étiquette d'identification.

### Outils nécessaires

- Tournevis à tête cruciforme n°2

### Déballage du nettoyeur à haute pression électrique

1. Enlevez tous les composants de la boîte d'expédition.
2. Assurez-vous d'avoir tous les articles inclus avant de commencer l'assemblage.

### Contenu de la boîte:

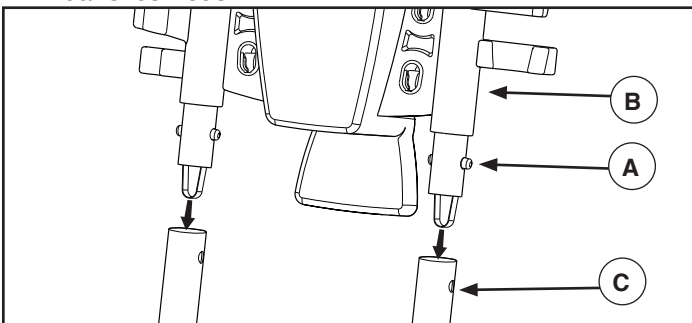
- Corps de l'appareil
- Manuel d'utilisation
- Poignée et plateau pour accessoires
- Pistolet de pulvérisation
- Boyau à haute pression
- Lance de pulvérisation
- Embouts de pulvérisation à raccord rapide (3)
- Embout de pulvérisation à mousse avec raccord rapide et bouteille de détergent
- Tubes de support de poignée(2)
- Vis (2)

Vérifiez le contenu. Si une pièce est manquante ou endommagée, NE l'utilisez PAS, téléphonez plutôt au service de dépannage du nettoyeur à haute pression au **(800) 743-4115**.

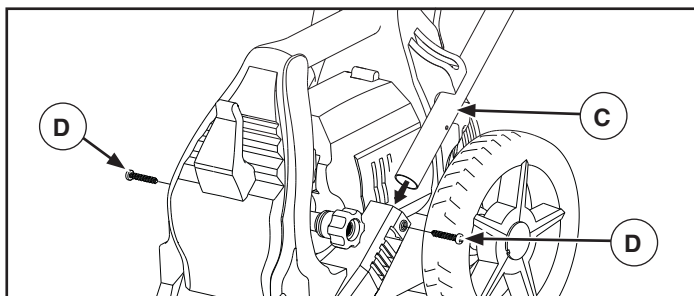
Familiarisez-vous avec chaque élément avant d'assembler le nettoyeur à haute pression électrique. Identifiez les pièces et les accessoires à partir de l'illustration montrée dans la rubrique *Fonctions et commandes*.

### Fixer la poignée et le support de tubes

1. Appuyer sur les boutons de goupille de verrouillage (A) tout en les maintenant sur chaque côté de la poignée. Faire glisser la poignée (B) vers les tubes de support de chaque poignée (C) vers le bas jusqu'à ce que les boutons de goupille de verrouillage se fixent dans les trous.



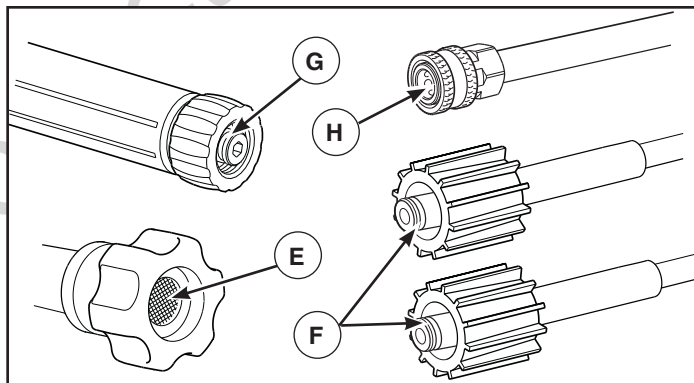
2. Faire glisser les supports de poignée (C) vers le bas dans les fentes à l'arrière de l'appareil. Aligner les trous et insérez les vis (D). Serrer à l'aide d'un tournevis cruciforme n° 2.



### Lubrification des joints toriques

La lubrification des joints toriques est extrêmement importante pour l'installation et le fonctionnement. L'utilisation d'un produit lubrifiant (graisse de pétrole ou graisse synthétique) pendant le montage aide les joints toriques à s'emboîter correctement et fournit une meilleure étanchéité. Elle permet aussi de protéger les joints toriques contre les dommages provoqués par l'abrasion, le pincement ou la coupure, et prolonge leur durée de vie.

**AVIS TOUJOURS** appliquer une petite quantité de produit lubrifiant sur les joints toriques avant de monter le tuyau d'arrosage sur la pompe (E), le tuyau pour haute pression (F), le pistolet de pulvérisation (G) et la lance de pulvérisation (H).



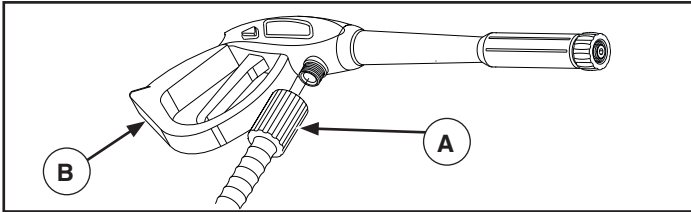
**Lubrifiez tous les raccords indiqués ci-dessous en suivant ces directives:**

1. Inspectez et nettoyez les surfaces de connexion avant la lubrification et l'assemblage.
2. Utilisez les lubrifiants en petite quantité pendant l'assemblage; une couche légère suffit.
3. Utilisez une petite brosse ou un coton-tige pour appliquer de la graisse directement sur les joints toriques s'ils ne sont pas accessibles (raccord QC, raccord M22).

## Branchez le tuyau et l'alimentation en eau à la pompe

**AVIS** NE faites PAS fonctionner la pompe sans avoir connecté et ouvert l'alimentation en eau.

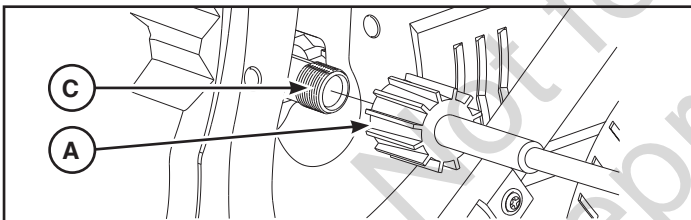
- La garantie sera annulée si l'appareil est endommagé faute de suivre cette directive.
1. Déroulez le boyau à haute pression (A) et fixez le bout noir du boyau à la base du pistolet de pulvérisation (B). Serrez à la main.



**AVERTISSEMENT** Le jet d'eau haute pression produit par cet appareil pourrait couper la peau et ses tissus sous-jacents, entraînant de graves lésions et pouvant conduire à une amputation.

- Ne raccordez JAMAIS le boyau à haute pression à une lance de pulvérisation.
- Gardez le boyau à haute pression raccordé à la pompe et au pistolet de pulvérisation lorsque le système est sous pression.
- Assurez-vous toujours que le pistolet de pulvérisation, les embouts et les accessoires sont bien fixés.

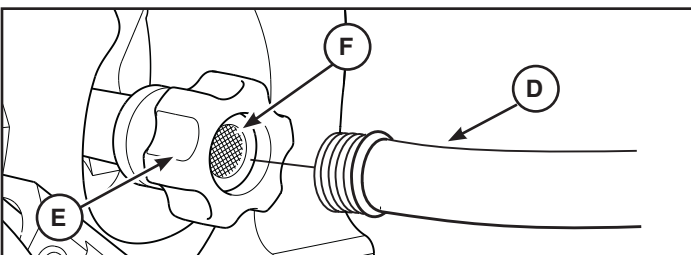
2. Fixez l'extrémité rouge du boyau à haute pression (A) à la sortie haute pression (C) de la pompe. Serrez à la main.



3. Faites circuler de l'eau dans le tuyau d'arrosage pendant 30 secondes pour en déloger tous débris.

**AVIS** NE siphonnez PAS d'eau stagnante pour assurer l'alimentation en eau. Utilisez UNIQUEMENT de l'eau froide (moins de 38 °C/100 °F).

4. Avant de raccorder le tuyau d'arrosage (D) à l'entrée d'eau (E), examinez la crépine d'admission (F). Nettoyez la crépine si elle contient des débris ou remplacez-la si elle est endommagée. NE mettez PAS le nettoyeur à haute pression en marche si la crépine d'admission est endommagée.



**AVIS** L'utilisation d'un clapet anti-retour (reniflard ou soupape de retenue) à la prise de la pompe peut endommager la pompe ou le raccord d'admission d'eau.

- Il DOIT y avoir une longueur d'au moins trois mètres (10 pi) de tuyau d'arrosage libre entre l'entrée du nettoyeur à haute pression et tout dispositif, tel qu'un reniflard ou une soupape de retenue.
  - La garantie sera annulée si l'appareil est endommagé faute de suivre cette directive.
5. Raccordez le tuyau d'arrosage (D) (longueur maximale de 15 m/50 pi) à l'entrée d'eau (E). Serrez à la main.

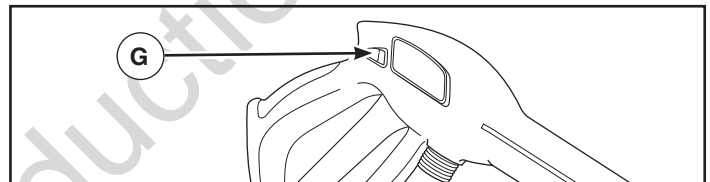
**AVERTISSEMENT** Risque de lésion oculaire.



Le jet d'eau peut rejaillir ou propulser des objets en entraînant de graves lésions.

- Portez toujours des lunettes de protection avec aération indirecte (éclaboussures de produits chimiques) conformes à la norme ANSI Z87.1 lorsque vous utilisez ou que vous êtes à proximité de cet équipement.
- Ne remplacez JAMAIS les lunettes de protection avec aération indirecte par des lunettes de protection ordinaires ou pour condition sèche.

6. Ouvrez l'eau, appuyez sur le bouton rouge (G) du pistolet puis sur la gâchette pour purger la pompe de l'air et des impuretés qui s'y trouvent.



## Liste de vérification avant de démarrer le moteur de la pompe

Réviser l'assemblage de l'appareil pour vous assurer que vous avez effectué toutes les étapes suivantes.

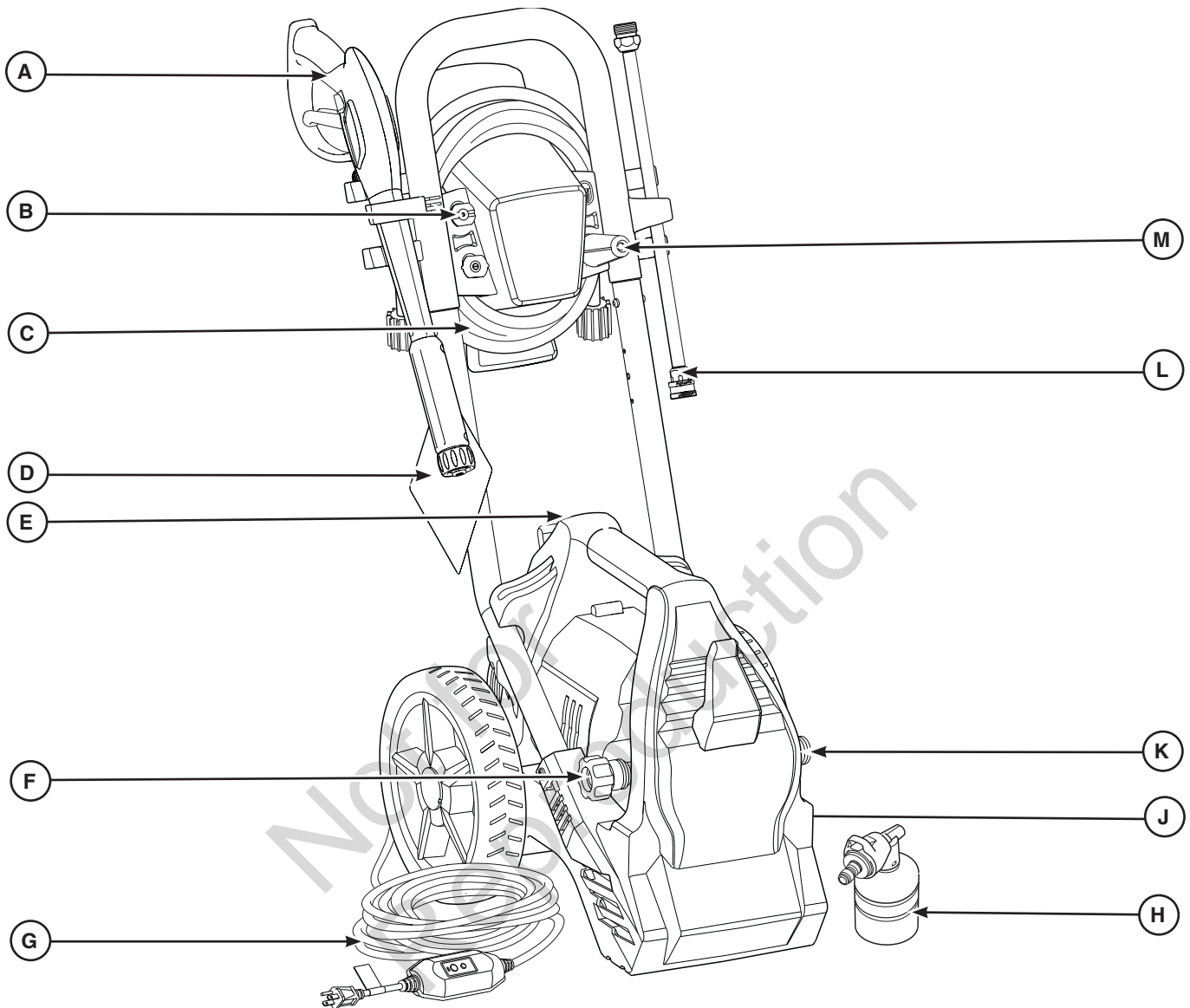
1. Assurez-vous de lire les sections *Sécurité de l'utilisateur* et *Utilisation* avant d'utiliser le nettoyeur à haute pression.
2. Vérifiez que les raccords de tuyau sont bien serrés.
3. Assurez-vous que les boyaux ne sont pas entortillés, coupés ou endommagés.
4. Fournissez une bonne alimentation d'eau à un débit adéquat.
5. Branchez le cordon d'alimentation électrique à un circuit électrique distinct pouvant supporter des charges de 120 volts CA à 15 ampères installé conformément aux règlements et aux ordonnances de sécurité locaux. Assurez-vous que le circuit ne fournit aucun autre appareil en électricité.

# Caractéristiques et commandes



Lisez ce manuel d'utilisation et les règles de sécurité avant d'utiliser votre nettoyeur à haute pression électrique.

Comparez les illustrations à votre nettoyeur à haute pression électrique pour vous familiariser avec l'emplacement des diverses commandes et réglages. Conservez ce manuel à des fins de consultation ultérieure.



**A - Pistolet de pulvérisation** — Un dispositif à gâchette qui permet de contrôler le jet d'eau sur la surface à nettoyer. Inclus le verrou de la gâchette.

**B- Embouts de pulvérisation** — Embout noir pour les applications générales de savons. Embout blanc et jaune pour les applications diverses à haute pression.

**C- Boyau à haute pression** — Raccordez l'extrémité rouge du boyau à l'alimentation en eau et la noire au pistolet de pulvérisation.

**D- Étiquette d'avertissement** — Identifie les risques à éviter lors de l'utilisation de votre nettoyeur à haute pression.

**E - Interrupteur principal à bascule de marche/arrêt** — Poussez la partie supérieure de l'interrupteur (I) pour mettre en marche le nettoyeur à haute pression. Poussez la partie inférieure de l'interrupteur (O) pour mettre en arrêt.

**F - Admission d'eau** — Branchez à l'alimentation en eau à l'aide d'un boyau d'arrosage d'une longueur max. de 15,24 m (50 pi).

**G- Cordon électrique avec disjoncteur de fuite de terre** — Le nettoyeur à haute pression électrique ainsi que l'opérateur sont protégés par un disjoncteur de fuite à la terre (GFCI).

**H - Embout de pulvérisation à mousse avec la bouteille de détergent** — Utiliser pour appliquer un détergent nettoyant haute pression sur les surfaces en toute sécurité.

**J - Étiquette d'identification (sous le boîtier)** — Indique les numéros de modèle et de série du nettoyeur à pression. Veuillez avoir ces renseignements sous la main lorsque vous appelez pour demander de l'aide.

**K - Sortie haute pression** — Raccord de boyau à haute pression.

**L - Lance de pulvérisation** — Vous permet d'interchanger les embouts de pulvérisation.

**M- Embout de pulvérisation turbo** — Fournit un jet d'eau précis et puissant pour un nettoyage intensif.



# Utilisation

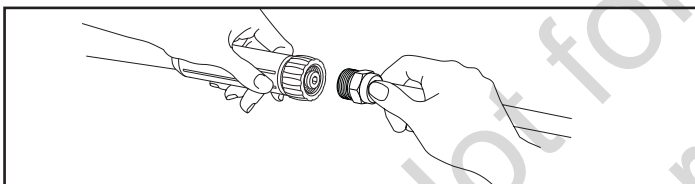
## Comment démarrer votre nettoyeur à haute pression électrique

Suivez les directives ci-dessous dans l'ordre indiqué. Si vous rencontrez des problèmes lors de l'utilisation de votre nettoyeur à haute pression électrique, veuillez appeler le service d'assistance des nettoyeurs à haute pression électriques au **(800) 743-4115**.

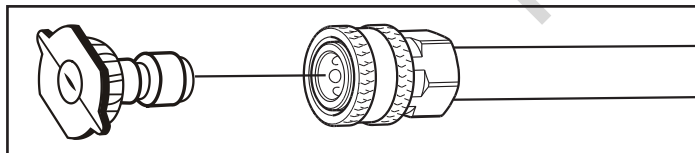
1. Placez le nettoyeur à haute pression près d'une source d'eau extérieure pouvant fournir un débit supérieur à 11,4 litres (3,0 gallons) par minute et d'au moins 20 psi (1,38 bar) à l'extrémité du tuyau d'arrosage raccordée au nettoyeur à haute pression. **NE siphonnez PAS** l'eau d'alimentation.
2. Vérifiez que le boyau à haute pression est raccordé fermement au pistolet de pulvérisation et à la pompe. Consultez la section *Assemblage*.
3. Assurez-vous que l'unité est à niveau.
4. Raccordez le tuyau d'arrosage à l'entrée d'eau de la pompe du nettoyeur à haute pression.

**AVIS** NE faites PAS fonctionner la pompe sans avoir connecté et ouvert l'alimentation en eau.

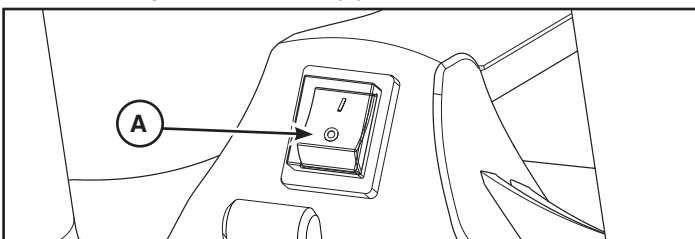
- La garantie sera annulée si l'appareil est endommagé faute de suivre cette directive.
5. Ouvrez l'eau, dirigez le pistolet vers un endroit sécuritaire, appuyez sur le bouton rouge puis sur la gâchette pour purger la pompe de l'air et des impuretés qui s'y trouvent.
  6. Fixez la lance de pulvérisation au pistolet de pulvérisation. Serrez à la main.



7. Choisissez la embout de pulvérisation que vous souhaitez utiliser, tirez sur le col de la lance de pulvérisation, insérez la embout de pulvérisation et relâchez le col. Tirez sur l'embout pour vous assurer qu'il est bien en place. Consultez la section *Comment utiliser les embouts de pulvérisation*.



8. Poussez l'interrupteur principal de marche/arrêt (A) vers la position d'arrêt (0).



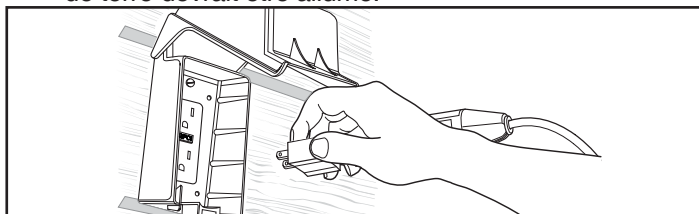
**⚠ AVERTISSEMENT** Risque d'électrocution.



L'utilisation d'une rallonge peut causer une décharge électrique et des brûlures pouvant entraîner la mort ou des blessures graves.

- N'utilisez PAS de rallonge avec ce nettoyeur à haute pression électrique. Les prises du circuit électrique de votre maison ou une rallonge peuvent ne pas fournir une protection de coupure de circuit par une mise à la terre qui peut sauver la vie.

9. Branchez le cordon d'alimentation électrique à un circuit électrique dédié pouvant supporter des charges de 120 volts CA à 15 ampères installé conformément à tous les règlements et ordonnances de sécurité locaux. Le circuit ne doit fournir en électricité aucun autre appareil ou dispositif. Le voyant du disjoncteur de fuite de terre devrait être allumé.



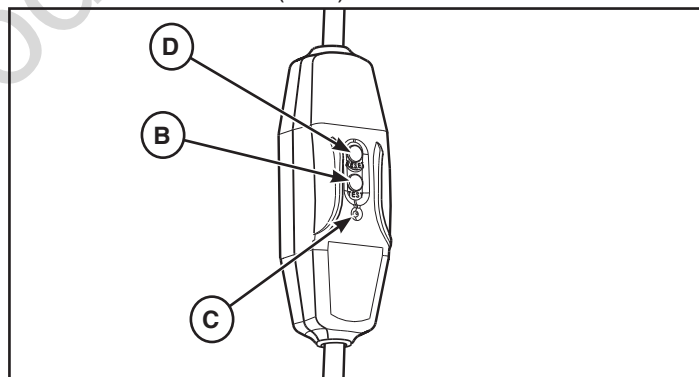
**AVIS** Le voyant doit être allumé pour faire fonctionner le nettoyeur à haute pression électrique.

**⚠ AVERTISSEMENT** Risque d'électrocution. Un



disjoncteur de fuite de terre non fonctionnel peut provoquer des blessures corporelles ou la mort. Si le voyant ne demeure pas allumé après le test et la réinitialisation, n'utilisez pas le disjoncteur de fuite de terre.

10. Appuyez sur le bouton « TEST » (B). Le voyant (C) devrait être éteint (OFF).



11. Appuyez sur le bouton « RESET » (D). Le voyant (C) devrait être allumé (ON).

**AVIS** N'utilisez PAS le nettoyeur à haute pression électrique si le test ci-dessus échoue.

12. Placez l'interrupteur principal de marche/arrêt (A) du nettoyeur à haute pression à la position de marche (I).
13. Dirigez le pistolet vers un endroit sécuritaire, appuyez sur le verrou de la détente puis sur la détente.

Le moteur du nettoyeur à haute pression électrique démarre et s'arrête lorsque la détente du pistolet de pulvérisation est enfoncée et relâchée.

Le nettoyeur à haute pression électrique est maintenant prêt à être utilisé. Les directives d'utilisation des accessoires fournis sont données plus loin dans cette section.



## Comment arrêter votre nettoyeur à haute pression électrique

Le moteur du nettoyeur à haute pression électrique fonctionne seulement lorsqu'on presse la détente. Pour arrêter le nettoyeur à haute pression et éteindre le moteur :

1. Relâchez la détente du pistolet de pulvérisation.
2. Poussez l'interrupteur principal de marche/arrêt vers la position d'arrêt (0).

**AVIS** Le fait de relâcher la détente arrête automatiquement le moteur, mais cela ne coupe pas l'alimentation électrique de l'appareil.

3. Fermez l'alimentation en eau.
4. Dirigez TOUJOURS le pistolet de pulvérisation vers un endroit sécuritaire, appuyez sur le verrou de détente puis sur la détente pour libérer la haute pression de l'appareil.

**AVERTISSEMENT** Le jet d'eau à haute pression produit par cet appareil pourrait couper la peau et ses tissus sous-jacents, entraînant de graves lésions et pouvant conduire à une amputation.


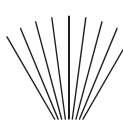


Le pistolet de pulvérisation emprisonne une pression d'eau élevée, même lorsque le moteur est arrêté et que l'arrivée d'eau est débranchée, ce qui peut entraîner des blessures graves.

- Gardez le boyau à haute pression raccordé à la pompe et au pistolet de pulvérisation lorsque le système est sous pression.
- Dirigez TOUJOURS le pistolet de pulvérisation dans une direction sécuritaire, serrez la gâchette du pistolet de pulvérisation pour relâcher la haute pression à chaque fois que vous arrêtez le nettoyeur à haute pression.

5. Débranchez la prise avec disjoncteur de fuite de terre de la prise murale.

## Comment utiliser les embouts de pulvérisation

Trois embouts de pulvérisation sont fournis avec le nettoyeur à haute pression. La embout de pulvérisation turbo fournit un jet d'eau précis et puissant pour un nettoyage intensif. Les embouts de pulvérisation jaunes et blancs servent aux applications diverses à haute pression. L'embout de pulvérisation à mousse sert pour les applications générales avec du savon.

 <p>Mousse à basse pression Utiliser pour appliquer le détergent</p>	 <p>Rinçage délicat Blanc, 40 ° Voitures / Camionnettes / Camions / Meubles d'extérieur 1300 PSI (90 bar) 1.1 GPM (4.1 LPM)</p>
 <p>Rinçage général Jaune, 15 ° Revêtement / Terrasse / Allées / Planchers de garage 2200 PSI (152 bar) 1.0 GPM (3.7 LPM)</p>	 <p>Nettoyage intense Turbo Élimination de la peinture/Tâches d'huile/Élimination de la poussière 900 PSI (6 bar) 1.2 GPM (4.5 LPM)</p>

## Conseils d'utilisation

- Pour un nettoyage plus efficace, maintenez la embout de pulvérisation de 8 à 24 pouces (20,0 cm à 60,0 cm) de la surface à nettoyer.
- Si vous tenez la embout de pulvérisation trop près, en particulier s'il s'agit d'une embout de pulvérisation à haute pression, vous risquez d'endommager la surface à nettoyer.
- Ne vous approchez PAS à moins de 6 pouces (15 cm) lors de nettoyage de pneus.

## Application de détergent

**AVERTISSEMENT** Danger de brûlures chimiques.

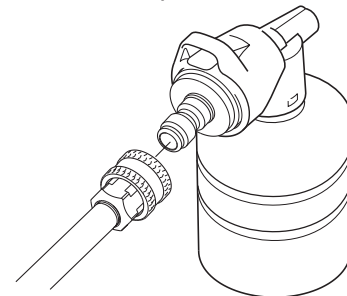


Les produits chimiques peuvent causer des brûlures risquant d'entraîner la mort ou des blessures graves.

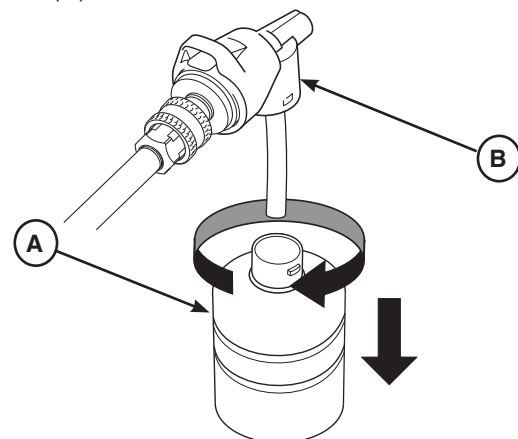
- Portez toujours des lunettes de protection avec aération indirecte (éclaboussures de produits chimiques) conformes à la norme ANSI Z87.1 lorsque vous utilisez des produits chimiques.
- N'utilisez PAS de lunettes de sécurité ou de lunettes de sécurité à aération indirecte.
- N'utilisez PAS une solution caustique avec le nettoyeur à haute pression électrique.
- N'UTILISEZ QUE des détergents/savons qui ne risquent pas d'endommager le nettoyeur à haute pression. Suivez toutes les directives des fabricants.

**Pour appliquer un détergent, suivez les étapes ci-dessous:**

1. Installez le embout de pulvérisation à mousse.



2. Préparez la solution de détergent nécessaire pour la tâche à effectuer.
3. Tournez la bouteille de détergent (A) dans le sens antihoraire et retirez-la du embout de pulvérisation à mousse (B).



4. Remplissez la bouteille de la solution détergente.
5. Réinstallez la bouteille de détergent sur le embout de pulvérisation à mousse et tournez-le dans le sens antihoraire jusqu'à ce qu'il se fixe en place.
6. Assurez-vous que le tuyau d'arrosage est raccordé à l'entrée d'eau. Vérifiez que le boyau à haute pression est raccordé au pistolet de pulvérisation et à la sortie haute pression de la pompe. Ouvrez l'eau.

**AVIS** Vous devez raccorder tous les boyaux avant de démarrer le nettoyeur à haute pression.

7. Démarrez le nettoyeur à haute pression tel que décrit à la rubrique *Comment démarrer votre nettoyeur à haute pression électrique*.
8. Appliquez le détergent sur une surface sèche en commençant par la partie inférieure à laver, puis travaillez vers le haut en formant de longues bandes uniformes qui se chevauchent.
9. Laissez le détergent pénétrer pendant au moins 3 à 5 minutes avant de laver et de rincer. Au besoin, appliquez de nouveau afin d'empêcher la surface de sécher. Pour empêcher la formation de stries, ne permettez pas au détergent de sécher sur la surface.

### Rinçage du nettoyeur à haute pression électrique

1. Retirez le embout de pulvérisation à mousse pour détergent de la lance.
2. Installez la embout de pulvérisation blanc ou jaune.
3. Maintenez le pistolet de pulvérisation à une distance sécuritaire de la surface sur laquelle vous prévoyez de pulvériser.

#### **⚠ AVERTISSEMENT** Risque d'effet de recul.



Le pistolet de pulvérisation peut créer un effet de recul susceptible de vous faire tomber et d'entraîner des blessures graves ou la mort.

- Utilisez le nettoyeur à haute pression électrique à partir d'une surface stable.
- Soyez très prudent si vous devez utiliser le nettoyeur à haute pression électrique lorsque vous êtes dans une échelle, un échafaudage ou un autre emplacement similaire.
- Lorsque vous utilisez un jet à haute pression, saisissez fermement le pistolet de pulvérisation avec les deux mains afin d'éviter les risques de blessures entraînées par les effets de recul.

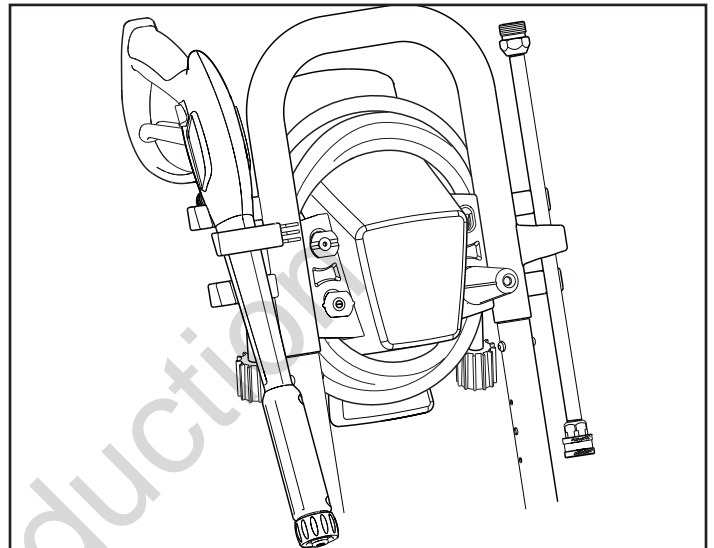
4. Appliquez une pulvérisation haute pression à une petite surface, puis vérifiez que celle-ci n'a pas été endommagée. S'il n'y a aucun dommage, vous pouvez considérer qu'il est acceptable de poursuivre le rinçage.
5. Commencez par la partie supérieure de la surface à rincer, en vous dirigeant vers le bas en formant des bandes qui se chevauchent, comme lors du nettoyage.

### Autres conseils de nettoyage

- Ne laissez JAMAIS le nettoyeur à haute pression électrique sans supervision alors qu'il est branché dans une prise électrique et que l'eau est alimentée à l'appareil.
- Si vous avez la embout de pulvérisation trop éloignée de la surface à laver, le nettoyage peut ne pas être efficace.

### Comment ranger les accessoires

Cet appareil est équipé d'endroits pour stocker le boyau à haute pression, le pistolet de pulvérisation, la lance de pulvérisation et le cordon d'alimentation. Embobiner le cordon d'alimentation sur les supports aux extrémités de l'appareil principal. Enrouler le boyau à haute pression et le ranger sur le crochet à l'arrière du plateau pour accessoires. Ranger le pistolet dans les fentes sur le côté gauche de plateau pour accessoires. Encliqueter la lance de pulvérisation dans les fentes sur le côté droit du plateau pour accessoires. Ranger les embouts de pulvérisation dans les trous prévus sur le devant du plateau pour accessoires. Identifier tous les accessoires à partir de l'illustration montrée dans la rubrique *Fonctions et commandes*.



## Entretien

### Recommandations générales

Un entretien régulier améliorera la performance et prolongera la durée de vie du nettoyeur à haute pression électrique.

La garantie sur ce nettoyeur à haute pression électrique ne couvre pas les items assujettis à un abus ou une négligence par l'opérateur. Pour recevoir la valeur en entier de la garantie, l'opérateur doit maintenir le nettoyeur à haute pression électrique selon les directives dans ce manuel, y compris l'entreposage correct.

**AVIS** En cas de questions sur le remplacement des composants du nettoyeur à haute pression, veuillez appeler le **1 800 743-4115** pour toute assistance.

### Avant chaque utilisation

1. Nettoyez les débris.
2. Vérifiez la crépine de l'entrée d'eau pour la présence de débris ou de dommage.
3. Recherchez des fuites du boyau à haute pression.
4. Vérifiez le fonctionnement du pistolet de vaporisation.

### Entretien du nettoyeur à haute pression électrique

#### Nettoyez les débris

Nettoyez les débris accumulés sur le nettoyeur à haute pression électrique tous les jours ou avant de l'utiliser. Inspectez les fentes d'air de refroidissement et les ouvertures aménagées sur l'avant, l'arrière et le dessous du nettoyeur à haute pression. Ces orifices doivent rester propres et libres de toute obstruction.

Les parties du nettoyeur à haute pression électrique doivent être gardées propres afin de réduire le risque de surchauffe et d'inflammation des débris accumulés.

- Utilisez un linge humide pour nettoyer les surfaces extérieures.

**AVIS** Le traitement inadéquat du nettoyeur à haute pression électrique peut l'endommager et réduire sa durée de vie.

- N'insérez AUCUN objet dans les fentes de refroidissement.

#### Vérifiez et nettoyez la crépine d'admission d'eau

Examinez la crépine d'admission d'eau de la pompe. Nettoyez-la si elle est obstruée ou remplacez-la si elle est endommagée.

#### Vérification du boyau à haute pression

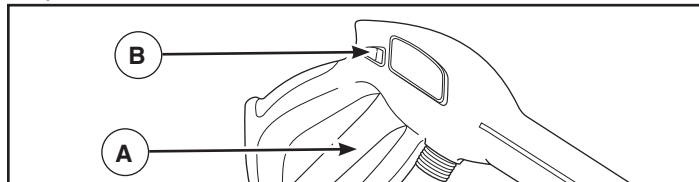
Le boyau à haute pression peut présenter des fuites suite à l'usure, au pliage ou à l'abus. Inspectez le boyau à chaque fois avant de l'utiliser. Recherchez la présence de coupures, de fuites, d'abrasions, de gonflement de la gaine, de dommages ou de mouvements dans les raccords. Si vous remarquez l'une de ces conditions, remplacez le boyau immédiatement.

**AVERTISSEMENT** Le jet d'eau à haute pression produit par cet appareil pourrait couper la peau et ses tissus sous-jacents, entraînant de graves lésions et pouvant conduire à une amputation.

- NE réparez JAMAIS le boyau à haute pression. Remplacez-le.
- Le tuyau de remplacement DOIT résister à une pression égale ou supérieure à la pression nominale de l'appareil.

### Vérification du pistolet de pulvérisation

Examinez le raccord de boyau sur le pistolet de vaporisation et vérifiez qu'il est bien serré. Faites l'essai de la détente (A) en appuyant sur le verrou de détente (B) et en vous assurant que la détente revient à sa position initiale lorsque vous la relâchez. Vous ne devriez pas être en mesure d'actionner la détente sans avoir appuyé sur le verrou de détente. Remplacez immédiatement le pistolet de pulvérisation si ces essais échouent.



### Entretien de l'embout de pulvérisation

Une pression de la pompe trop élevée peut entraîner un effet de pulsation lorsque vous appuyez sur la détente du pistolet de pulvérisation. La raison principale d'une pression de pompe trop élevée est l'obstruction complète ou partielle de la embout de pulvérisation par un corps étranger, comme des saletés, etc. Une embout de pulvérisation obstruée peut entraîner un cycle marche/arrêt de la pompe ou l'incapacité de se mettre en marche même en présence d'un certain débit.

1. Poussez l'interrupteur principal de marche/arrêt vers la position d'arrêt (0). Débranchez le cordon d'alimentation de la prise murale.
2. Débranchez l'alimentation en eau sur le nettoyeur à haute pression électrique.
3. Dirigez TOUJOURS le pistolet de vaporisation dans une direction sécuritaire, appuyez sur le bouton de verrouillage de la gâchette et serrez la gâchette du pistolet de vaporisation pour relâcher la haute

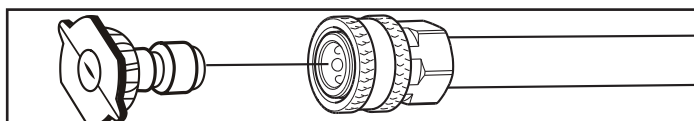
**AVERTISSEMENT** Le jet d'eau à haute pression produit par cet appareil pourrait couper la peau et ses tissus sous-jacents, entraînant de graves lésions et pouvant conduire à une amputation.

Le pistolet de pulvérisation emprisonne une pression d'eau élevée, même lorsque le moteur est arrêté et que l'arrivée d'eau est débranchée, ce qui peut entraîner des blessures graves.

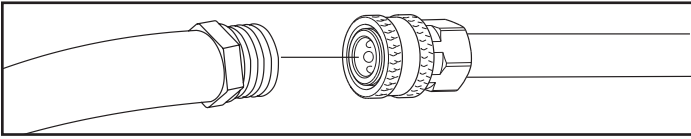
- Gardez le boyau à haute pression raccordé à la pompe et au pistolet de pulvérisation lorsque le système est sous pression.
- Dirigez TOUJOURS le pistolet de pulvérisation dans une direction sécuritaire, serrez la gâchette du pistolet de pulvérisation pour relâcher la haute pression à chaque fois que vous arrêtez le nettoyeur à haute pression.

pression d'eau restante.

4. Retirez la embout de pulvérisation de la lance de pulvérisation.
5. Utilisez un trombone pour dégager tout élément pouvant obstruer les embouts de pulvérisation.



6. En utilisant un boyau d'arrosage, enlevez tout débris restant en inversant la circulation de l'eau dans la lance de pulvérisation. Faites circuler l'eau en sens inverse pendant 30 à 60 secondes.



7. Réinstallez l'embout de pulvérisation sur la lance de pulvérisation.
8. Raccordez la lance de pulvérisation au pistolet de vaporisation.
9. Assurez-vous que le tuyau d'arrosage est raccordé à l'entrée d'eau. Vérifiez que le boyau à haute pression est raccordé au pistolet de pulvérisation. Ouvrez l'eau.
10. Branchez le cordon d'alimentation dans une prise électrique et poussez l'interrupteur principal de marche/arrêt sur le nettoyeur à haute pression vers la position de marche (I).
11. Faites l'essai du nettoyeur à haute pression électrique en utilisant chacune des embouts de pulvérisation.

## Entretien de la pompe et du moteur

La pompe et le moteur de ce nettoyeur à haute pression électrique ne nécessitent aucun entretien. Les deux assemblages sont pré-lubrifiés et scellés, ne nécessitant jamais de lubrification supplémentaire.

## Après chaque utilisation

L'eau ne devrait pas demeurer dans l'appareil pendant de longues périodes. Des sédiments ou des minéraux pourraient s'accumuler sur les pièces de la pompe et bloquer son mouvement. Suivez ces procédures après chaque utilisation :

1. Rincez la bouteille de détergent (si utilisée) en la retirant du embout de pulvérisation à mousse et en vidant toute la solution restante.
2. Rincez la bouteille de détergent avec de l'eau propre et réinstallez-la sur le embout de pulvérisation à mousse.
3. Faites fonctionner la laveuse à pression électrique avec le embout de pulvérisation à mousse. Rincer pendant une ou deux minutes.
4. Poussez l'interrupteur principal de marche/arrêt vers la position d'arrêt (0).
5. Fermez l'alimentation en eau, dirigez le pistolet vers un endroit sécuritaire et appuyez sur le bouton rouge et la gâchette pour libérer la pression, puis laissez refroidir le moteur.
6. Débranchez le boyau du pistolet de pulvérisation et de la sortie haute pression sur la pompe. Videz l'eau du tuyau, du pistolet de pulvérisation et de la lance de pulvérisation. Essuyez le boyau avec un chiffon.
7. Videz l'eau de la pompe en basculant l'appareil sur son côté avant (sortie d'eau vers le bas) pendant deux minutes. Basculez l'appareil vers l'arrière (sortie de

haute pression vers le bas) pendant deux minutes additionnelles.

8. Enrouler le boyau à haute pression et le ranger sur le crochet à l'arrière du plateau pour accessoires.
9. Embobiner le cordon d'alimentation sur les supports.
10. Ranger le pistolet et la lance de pulvérisation dans les fentes sur le plateau pour accessoires. Ranger les embouts de pulvérisation dans les trous sur le plateau pour accessoires.
11. Entreposez l'appareil dans un endroit propre et sec.
12. Si l'entreposage dure plus de 30 jours, reportez-vous à la rubrique *Remisage hivernal ou à long terme*.

## Remisage hivernal ou à long terme

Suivez les étapes 1 à 10 dans *Après chaque utilisation*.

**AVIS** L'eau restante dans la pompe pourrait geler et endommager la pompe de manière permanente. Les dommages causés par le gel ne sont pas couverts par la garantie.

## Protection de la pompe

Pour protéger la pompe des dommages causés par les dépôts de minéraux ou le gel, utilisez le PumpSaver (modèle 6039) pour traiter la pompe. Vous préviendrez ainsi les dommages causés par le gel et lubrifierez le plongeur et les joints.

**AVIS** PumpSaver est un accessoire disponible en option. Il n'est pas fourni avec le nettoyeur à haute pression électrique. Contactez le centre de service autorisé situé le plus près de chez vous pour vous procurer PumpSaver.

**AVIS** Vous devez protéger votre appareil contre le gel.

- Faute de le protéger, la pompe et pistolet de pulvérisation s'endommagera de façon permanente et l'appareil sera inopérant.
- Les dommages causés par le gel ne sont pas couverts par la garantie.

Pour utiliser PumpSaver, assurez-vous que le nettoyeur à haute pression électrique est mis en arrêt et que les tuyaux d'entrée et de sortie sont déconnectés. Veuillez lire et suivre les directives et les avertissements mentionnés sur le récipient de PumpSaver.

## Procédures finales d'entreposage

1. Enrouler le boyau à haute pression et le ranger sur le crochet à l'arrière du plateau pour accessoires.
2. Embobiner le cordon d'alimentation sur les supports.
3. Ranger le pistolet et la lance de pulvérisation dans les fentes sur le plateau pour accessoires. Ranger les embouts de pulvérisation dans les trous sur le plateau pour accessoires.
4. Entreposez le nettoyeur dans un endroit propre et sec, protégé du gel.
5. Recouvrez l'appareil avec une couverture protectrice appropriée qui ne retient pas l'humidité.



# Dépannage

Problème	Cause	Correction
<b>La pompe présente les problèmes suivants : échec à produire de la pression, pression irrégulière, cliquetis, perte de pression, faible volume d'eau.</b>	<ol style="list-style-type: none"> <li>1. L'entrée d'eau est bloquée.</li> <li>2. L'alimentation en eau est insuffisante.</li> <li>3. Le boyau d'arrosage est plié ou fissuré.</li> <li>4. La crépine d'admission d'eau est obstruée.</li> <li>5. La température de l'alimentation en eau est supérieure à 100 °F (38 °C).</li> <li>6. Le tuyau à haute pression est obstrué ou fissuré.</li> <li>7. La embout de pulvérisation est obstruée</li> </ol>	<ol style="list-style-type: none"> <li>1. Nettoyez l'arrivée d'eau.</li> <li>2. Fournissez un débit d'eau adéquat.</li> <li>3. Redressez le boyau d'arrosage ou remplacez-le s'il présente des fuites.</li> <li>4. Vérifiez et nettoyez la crépine d'admission d'eau.</li> <li>5. Fournissez une eau plus froide.</li> <li>6. Dégagez tout blocage dans le tuyau à haute pression ou remplacez-le.</li> <li>7. Nettoyez la embout de pulvérisation.</li> </ol>
<b>L'appareil ne démarre pas lorsqu'on presse sur la détente</b>	<ol style="list-style-type: none"> <li>1. L'alimentation en eau n'est pas activée.</li> <li>2. L'appareil n'est pas en marche.</li> <li>3. Le boyau d'arrosage est trop long.</li> <li>4. Fusible grillé, disjoncteur déclenché.</li> </ol>	<ol style="list-style-type: none"> <li>1. Ouvrez l'alimentation en eau.</li> <li>2. Poussez l'interrupteur principal de marche/arrêt vers la position d'arrêt (I). Réinitialisez le disjoncteur de fuite de terre.</li> <li>3. Utilisez un boyau d'arrosage de 15,24 m (50 pi) tout au plus. <ol style="list-style-type: none"> <li>a.) Vérifiez la boîte de fusibles à la recherche d'un fusible grillé et remplacez-le au besoin, ou réenclenchez le disjoncteur. N'utilisez PAS un fusible ou un disjoncteur avec une puissance nominale plus élevée que ce qui est spécifié pour votre circuit de dérivation en particulier.</li> <li>b.) Débranchez les autres appareils électriques et fermez les lumières dans le circuit ou faites fonctionner le nettoyeur à haute pression sur son propre circuit dédié.</li> <li>c.) Faites fonctionner le nettoyeur à pression avec une embout de pulvérisation quelconque pendant 5 minutes. Il pourrait s'avérer nécessaire d'ouvrir le moteur.</li> </ol> </li> </ol>
<b>Le détergent ne se mélange pas avec l'eau de pulvérisation.</b>	<ol style="list-style-type: none"> <li>1. La embout de pulvérisation pour haute pression est installée.</li> </ol>	<ol style="list-style-type: none"> <li>1. Installez le embout de pulvérisation à mousse.</li> </ol>
<b>Les raccords du tuyau présentent des fuites.</b>	<ol style="list-style-type: none"> <li>1. Le tuyau d'arrosage n'est pas étanche à la prise d'eau.</li> <li>2. Les raccords de tuyau à haute pression ne sont pas étanches.</li> <li>3. Les joints toriques sont endommagés.</li> </ol>	<ol style="list-style-type: none"> <li>1. Connectez à la main le tuyau d'arrosage à la prise d'eau.</li> <li>2. Retirez le tuyau complètement et rebranchez-le en le serrant bien à la main.</li> <li>3. Remplacez le joint torique.</li> </ol>

**Pour tous les autres problèmes, contactez un concessionnaire Briggs & Stratton autorisé.**



## POLITIQUE DE GARANTIE DES BRIGGS & STRATTON

### GARANTIE LIMITÉE

Briggs & Stratton garantit que, pendant la période de couverture de la garantie précisée ci-dessous, elle réparera ou remplacera, sans frais, toute pièce défectueuse comportant un vice de matériau ou un défaut de fabrication ou les deux. En vertu de la présente garantie, les frais de transport du produit soumis pour réparation ou remplacement sont à la charge de l'acheteur. La présente garantie sera en vigueur et soumise aux périodes et conditions stipulées ci-dessous. Pour obtenir des services en vertu de la garantie, téléphoner au Service à la clientèle de Briggs & Stratton au (800) 743-4115 ou communiquer avec eux par Internet à l'adresse BRIGGSandSTRATTON.COM.

**Il n'existe aucune autre garantie expresse. Les garanties implicites, incluant les garanties de qualité marchande et d'adaptation à un usage particulier, sont limitées à une période d'un an à partir de la date d'achat ou jusqu'à la limite permise par la loi. La responsabilité pour dommages accessoires ou indirects est exclue dans la mesure où une telle exclusion est permise par la loi.** Certains états/provinces ou pays n'autorisent aucune restriction sur la durée d'une garantie implicite, et certains états/provinces ou pays n'autorisent pas l'exclusion ou la limitation des dommages consécutifs ou indirects. Par conséquent, les restrictions et exclusions décrites ci-dessus pourraient ne pas s'appliquer dans votre cas. La présente garantie vous offre des droits juridiques spécifiques et il se peut que vous ayez d'autres droits qui varient d'un état ou d'une province à l'autre, ou de pays à pays.\*\*

### PÉRIODE DE GARANTIE

Usage par un consommateur	Usage à des fins commerciales
12 mois	Aucune

\*\* En Australie – Nos produits sont accompagnés de garanties qui ne peuvent être exclues en vertu de l'Australian Consumer Law. Vous avez droit à un remplacement ou à un remboursement en cas de défaillance majeure et en compensation à toute perte ou tout dommage raisonnablement prévisible. Vous avez également droit à la réparation ou au remplacement des produits si ceux-ci ne sont pas de qualité acceptable et que la défaillance n'équivaut pas à une défaillance majeure. Pour obtenir le service sous garantie, recherchez le concessionnaire autorisé le plus proche sur notre carte des détaillants sur le site BRIGGSandSTRATTON.COM, ou appelez le 1300 274 447, ou encore envoyez un courriel à salesenquires@briggsandstratton.com.au, Briggs & Stratton Australia Pty Ltd, 1 Moorebank Avenue, NSW, Australie, 2170.

La période de garantie débute à la date d'achat par le premier acheteur au détail ou par le premier utilisateur commercial final. « Usage par un consommateur » signifie une utilisation domestique personnelle dans une résidence, par l'acheteur au détail. « Usage à des fins commerciales » signifie toute autre utilisation, y compris à des fins commerciales, générant des revenus, ou de location. Une fois que le produit a été utilisé dans un but commercial, il sera considéré comme d'utilisation commerciale dans le cadre de cette garantie.

Veuillez garder le reçu de votre achat. Si vous ne pouvez pas fournir la preuve de l'achat au moment de faire une demande se rapportant à la garantie, la date de fabrication du produit sera utilisée pour déterminer la période de garantie. L'enregistrement du produit n'est pas obligatoire pour obtenir un service de garantie pour les produits Briggs & Stratton.

### À PROPOS DE VOTRE GARANTIE

Le service de garantie n'est offert que par l'intermédiaire des Service à la clientèle de Briggs & Stratton. Cette garantie couvre uniquement les défauts de matériel et de fabrication. Elle ne couvre pas des dommages causés par une mauvaise utilisation ou des abus, un mauvais entretien ou une réparation incorrecte, une usure normale ou l'utilisation de carburant vicié ou non approuvé.

**Mauvaise utilisation et abus** – Une bonne utilisation, tel que prévu, du produit est décrite dans le manuel de l'opérateur. L'utilisation de la machine de façon autre que celle décrite dans le manuel d'utilisation ou son utilisation après qu'elle a été endommagée annulera la garantie. Vous ne pourrez vous prévaloir de la garantie si le numéro de série sur la machine a été supprimé ou si la machine a été modifiée d'une manière quelconque, ou si elle présente des preuves d'abus, tel que coups, corrosion par l'eau ou des produits chimiques.

**Mauvais entretien ou réparation** – Cette machine doit être entretenue conformément aux procédures et aux intervalles indiqués dans le manuel de l'opérateur; l'entretien et les réparations doivent être effectués avec des pièces d'origine Briggs & Stratton ou équivalentes. Les dommages causés par le manque d'entretien ou l'utilisation de pièces n'étant pas d'origine ne sont pas couverts par la garantie.

**Usure normale** – Comme la plupart des équipements mécaniques, malgré un bon entretien, le vôtre est sujet à une usure. La présente garantie ne couvre pas les réparations lorsque la durée de vie de la machine s'est achevée après une utilisation normale. Les articles d'entretien et d'usure, tels que filtres, courroies, lames et plaquettes de frein (les plaquettes de frein moteur sont couvertes) ne sont pas couverts par la garantie, uniquement en raison de leur caractéristique d'usure, à moins que la cause soit due à des vices du matériel ou de fabrication.

**Carburant éventé ou non approuvé** – Afin de fonctionner correctement, cette machine doit être alimentée avec un carburant propre conforme au critère précisé dans le manuel de l'opérateur. Les dommages au moteur ou à l'équipement dus à un carburant éventé ou à l'utilisation de carburants non approuvés (comme les mélanges d'éthanol E15 ou E85) ne sont pas couverts par la garantie.

**Autres exclusions** – Cette garantie exclut tout dommage dû à un accident, un abus, des modifications, des transformations, un entretien inapproprié, la détérioration par le gel ou les produits chimiques. Les accessoires non emballés à l'origine avec le produit sont aussi exclus. La garantie ne couvre pas l'équipement utilisé comme alimentation principale à la place de l'alimentation électrique de secteur ou pour les applications de maintien des fonctions vitales. Cette garantie ne concerne pas les appareils ou les moteurs usagés, réusinés, de seconde main ou de démonstration. Cette garantie exclut toute défaillance due à une catastrophe naturelle ou à toute autre force majeure hors du contrôle du fabricant.

80018419\_FRCA Rév. A

Français

fr

Not for  
Reproduction

Not for  
Reproduction



# Nettoyeur à haute pression électrique

## Fiche technique

Pression maximum . . . . .	152 bar (2 200 psi)* à 3,8 l/min (1,0 gpm)
Débit maximal . . . . .	4,5 l/min (1,2 gpm)* à 62 bar (900 psi)
Mélange de détergent . . . . .	Consultez les instructions du fabricant
Température de l'alimentation en eau . . . . .	5°C (41°F) - 38°C (100°F)
Moteur . . . . .	Type induction
Tension nominale . . . . .	120 volts CA
Courant . . . . .	14,5 ampères

Not for  
Reproduction

\* Ce nettoyeur à haute pression est évalué conformément à la norme PW101-2010 (essai et évaluation de la performance des nettoyeurs à haute pression) de l'Association des fabricants de nettoyeurs à haute pression (PWMA).

Briggs & Stratton Corporation  
P.O. Box 702  
Milwaukee, Wisconsin, 53201-0702 É.-U.